



Diamond Tub & Showers Spec Sheet

Model: TOAW 604229 R/L

Description: Tub Only with Apron and Wainscot (Right Drain Shown)

Specifications

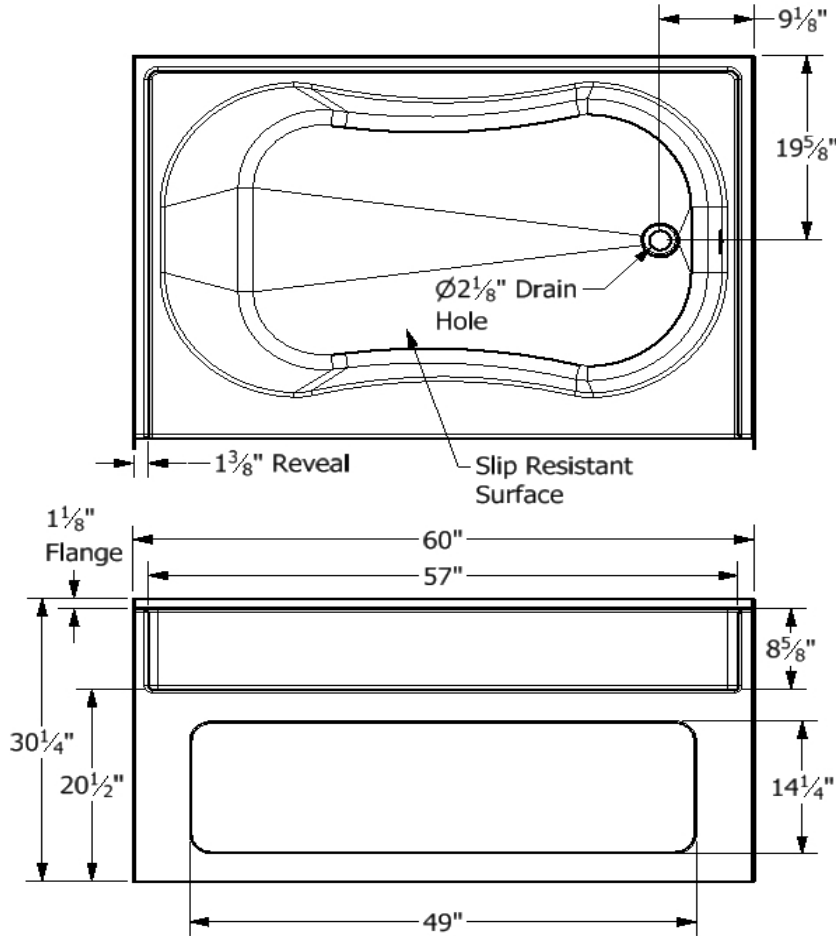
Model #	Material	Wall Finish	Pieces	Drain	Apron Height	Net Weight Lbs.
TOAW 604229	Fiberglass/ Gelcoat	Smooth	1	R/L	20 1/2"	

Sump Data

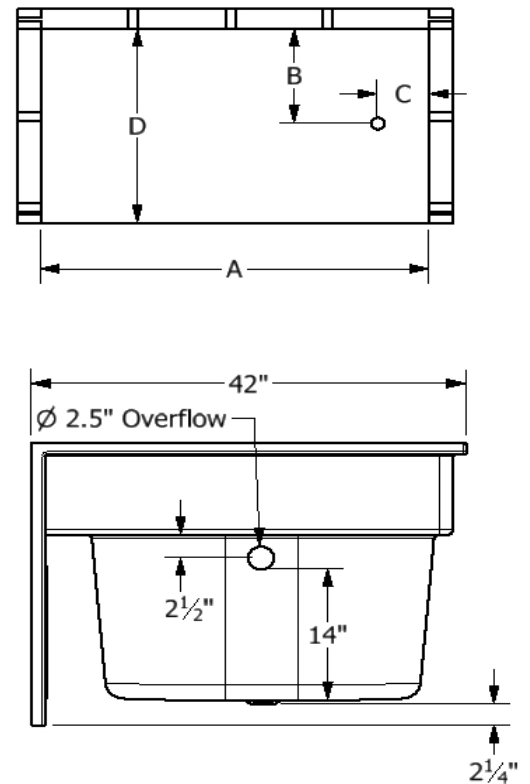
Top of Drain to Bottom of Overflow	Capacity to Overflow Gallons	Top Dimensions		Bottom Dimensions	
		Length	Width	Length	Width
14"	77.5	53 3/4"	29 1/4"	45 1/4"	24 3/4"

Framing Dimensions

A	B	C	D
60"	19 5/8"	9 1/8"	42"



Framing Specifications



Certified to conform to HUD/UM73b, ANSI Z124.1, and ASTM E-162 Flame Spread Rating 200 or less and is under a program of factory inspection.

Manufactured by Frontline Mfg., Inc. Leesburg, IN



4/8/16