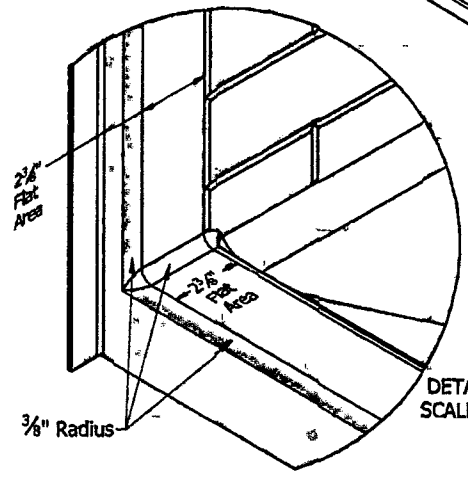
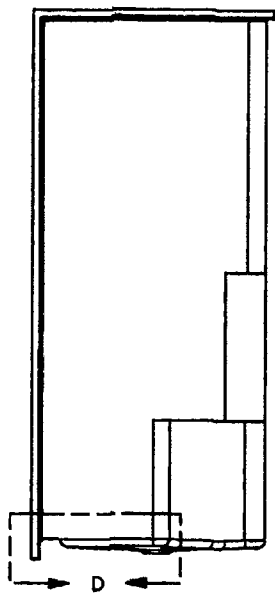
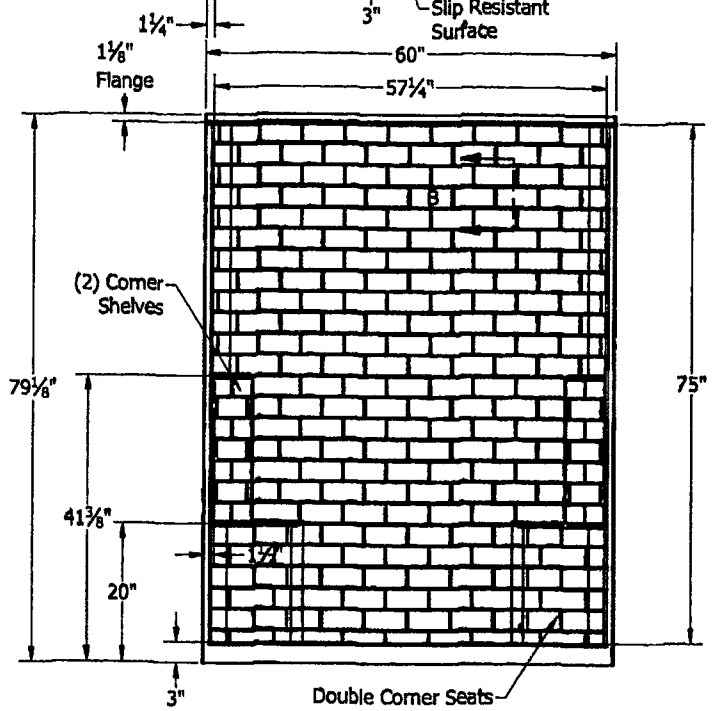
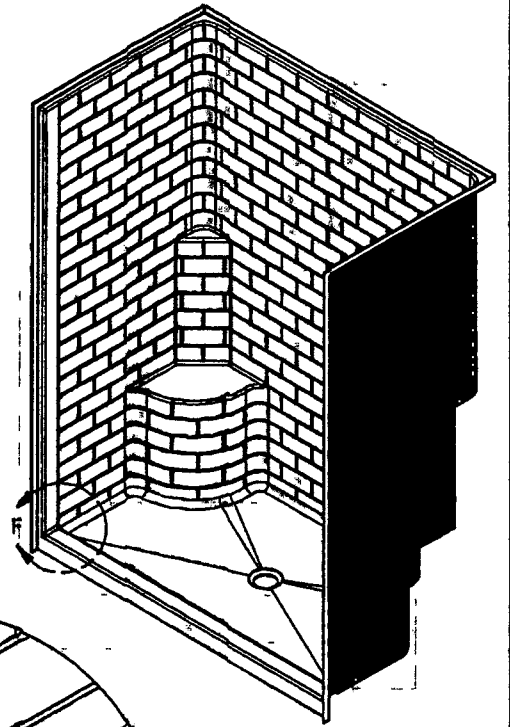
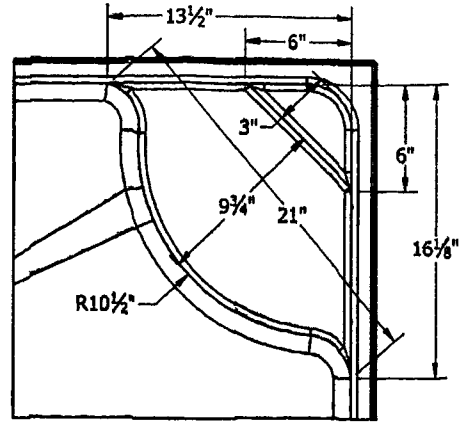
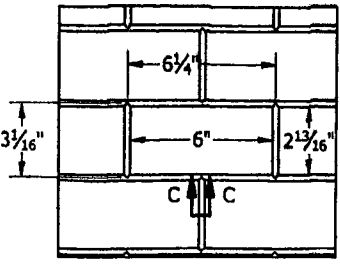


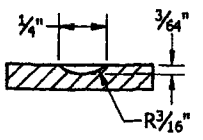
Seat/Shelf
DETAIL A
SCALE .188



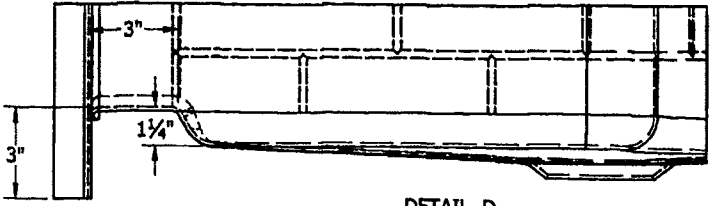
DETAIL F
SCALE .375



Grout Line
DETAIL B
SCALE .25



SECTION C-C
SCALE 2



DETAIL D
SCALE .312

SSTDS 603579

AX Part #		
FRONTLINE MANUFACTURING		
ENG.	DATE	Release ERO
		Weight N/A
		Part # SSTDS 603579 C Rev
3/16/23		