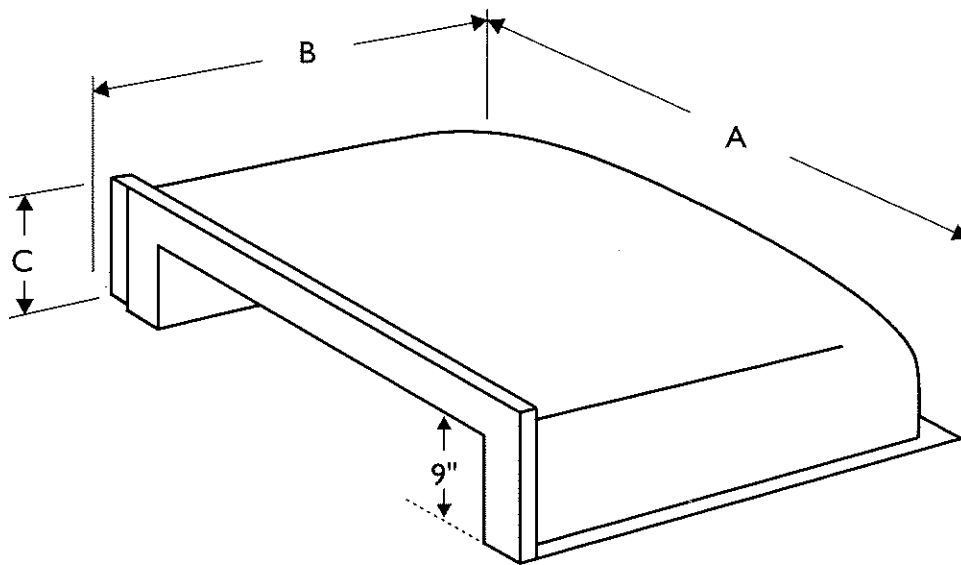


Frontline Mfg., Inc.



Information

Models Available:	Dimensions:		
	A	B	C
CAP S 6037	60"	37"	12 $\frac{1}{4}$ "
CAP TU 6034	60"	34"	12 $\frac{1}{4}$ "
CAP TB 6033	60"	33"	12"
CAP S 4837	48"	37"	12 $\frac{1}{4}$ "
CAP TU 3637	36"	37"	12"

Certified to conform to HUD/UM73b, ANSI Z124.1, and ASTM E-162 Flame Spread Rating 200 or less and is under a program of factory inspection.