



Diamond Tub & Showers Spec Sheet

Model: B 6035-5

Description: One Piece Shower Base

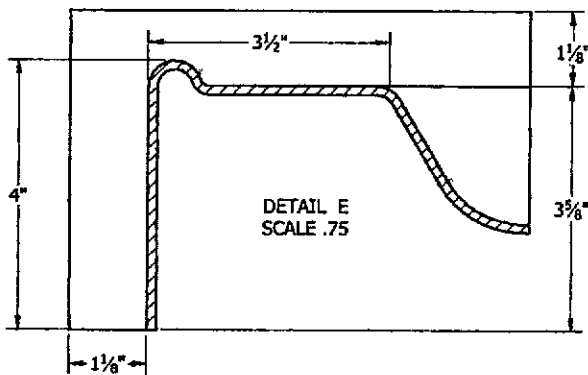
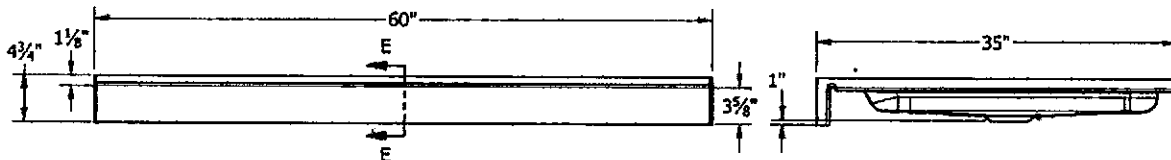
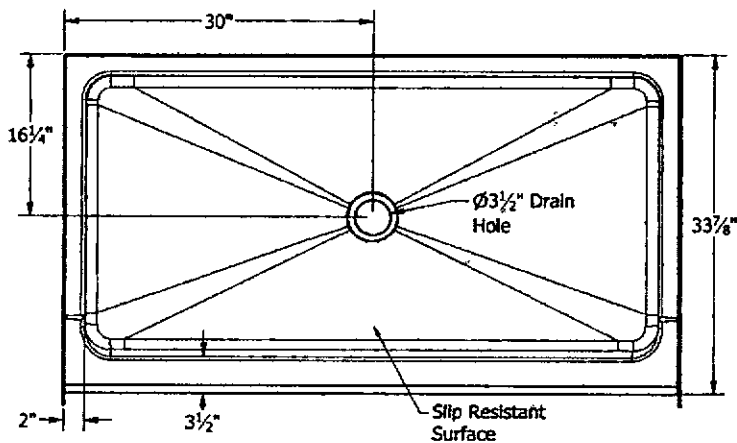
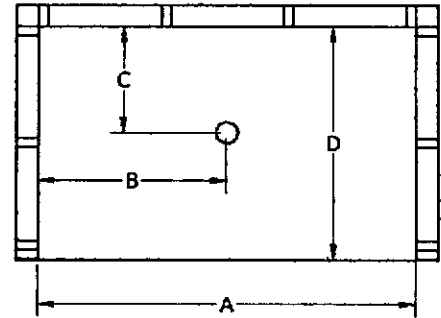
Specifications

Model #	Material	Wall Finish	Pieces	Drain	Threshold Height	Net Weight Lbs.
B 6035-5	Fiberglass/ Gelcoat	Smooth	1	C	3 5/8"	
Enclosure Opening						
Width		Height				
Varies		NA				

Framing Dimensions

A	B	C	D
60"	30"	16 1/4"	35 1/8"

Framing Specifications



Certified to conform to ANSI 2124.1 and ASTM E-162 Flame Spread Rating 200 or less and is under a program of factory inspection.

Manufactured by Frontline Mfg., Inc. Warsaw, IN



10/17/2023