



Diamond Tub & Showers Spec Sheet

Model: BLT 6336-3

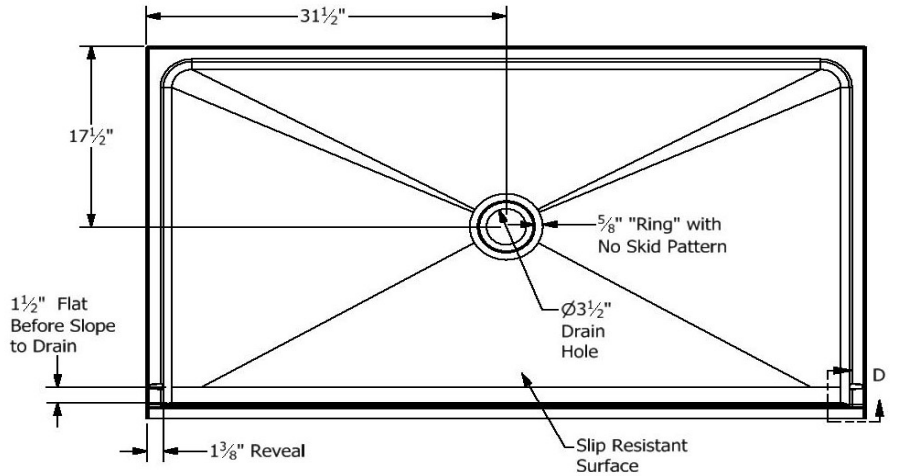
Description: One Piece Low Threshold Shower Base

Specifications

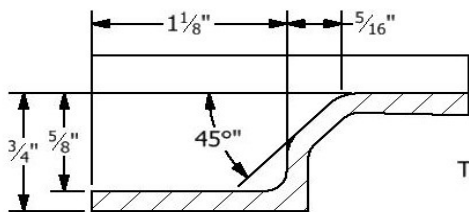
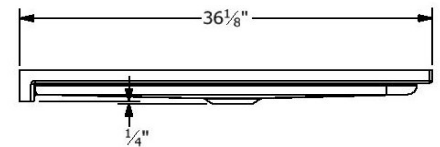
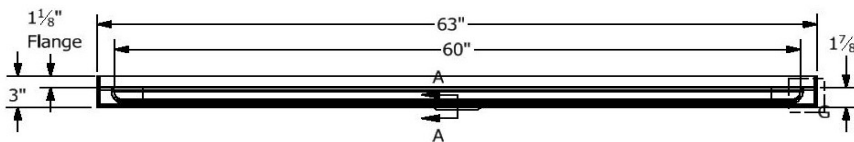
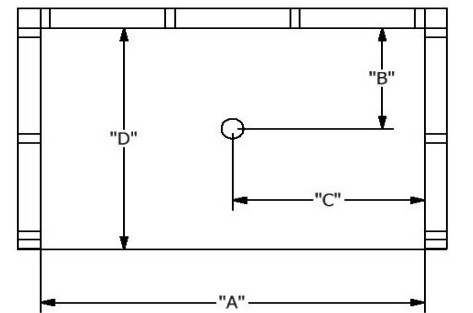
Model #	Material	Wall Finish	Pieces	Drain	Threshold Height	Net Weight Lbs.
BLT 6336-3	Fiberglass/Gelcoat	Smooth	1	C	3"	
Enclosure Opening						
Width		Height				
NA		NA				

Framing Dimensions

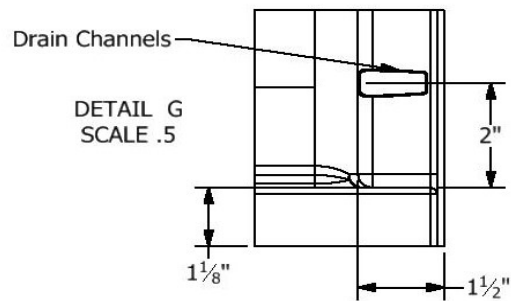
A	B	C	D
63"	17 1/2"	31 1/2"	33 1/8"



Framing Specifications



Threshold DETAIL SCALE 1.5



DETAIL G SCALE .5

Certified to conform to ANSI Z124.1 and ASTM E-162 Flame Spread Rating 200 or less and is under a program of factory inspection.

Manufactured by Frontline Mfg., Inc. Warsaw, IN



9/7/21