

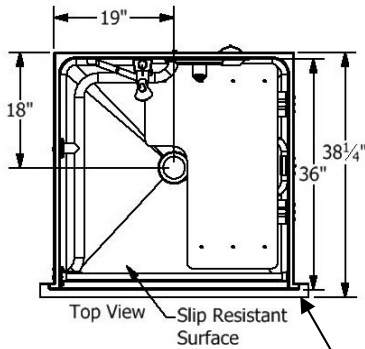


Diamond Tub & Showers Submittal Sheet

Model : SHLT 423877

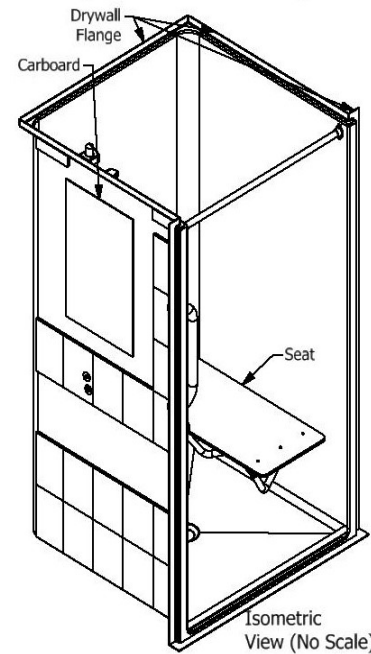
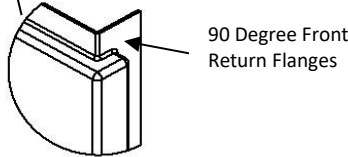
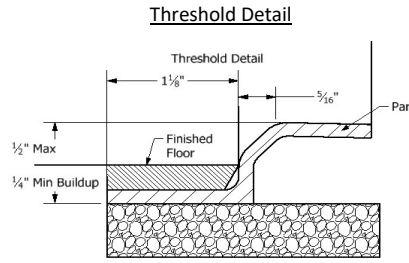
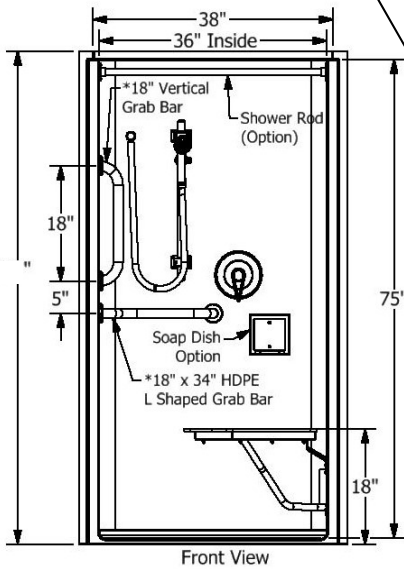
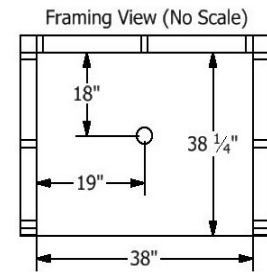
Description: One Piece Low Threshold Accessible Shower with 90 Degree Front Return Flanges

ADA Compliant when specified with options denoted by asterisks "*"



Rough Dimensions
Outside: 42 1/2" x 38 1/4" x 77"
Inside: 36" x 36" x 75"

Note:
 ADA Compliant when installed according to ADA & Diamond guidelines, with required accessories marked "*". Additional options also available.



Diamond Tiled Tub & Shower Model SHLT 423877: ADA compliant ; one piece shower enclosure constructed of 1/8" (min.) thick hand laminated reinforced fiberglass resin with high-quality gel coat and mirror finish; 7/16" O.S.B. structural reinforcement; integral 1 1/8" drywall flange (leading and top edges); reinforced solid floor features a 1/2" high beveled threshold, a center located 3 1/2" diameter drain opening and a slip resistant surface. Six (6) year commercial warranty. ADA Compliant when installed per ADA Guidelines with the manufacturers required accessories and installation requirements. Accessories required to meet ADA regulation: 1 1/2" SS Vertical Grab Bar, 1 1/2" x 18 x 34" x "L" Shaped Grab Bar, and HDPE "L" Shaped Foldup Seat. Additional options include SS Soap Dish, SS Curtain Rod, 48" x 72" Weighted Shower Curtain (with hooks), and a 3' Collapsible Shower Dam (recommended to help contain water and shower curtain within the shower area). Other materials such as Shower Valve, Shower Head, Drain Fitting, Sealants, etc., supplied by others.

Accessories & Options:	
<input type="checkbox"/>	32" x 21" Foldup Seat, R or L *
<input type="checkbox"/>	1 1/2" x 18" x 34" L-Shaped Grab Bar *
<input type="checkbox"/>	1 1/2" x 18" Vertical Grab Bar *
<input type="checkbox"/>	3' SS Curtain Rod
<input type="checkbox"/>	48 x 72 Shower Curtain with Hooks
<input type="checkbox"/>	SS Soap Dish
<input type="checkbox"/>	3' Collapsible Dam

QTY Configuration	
<input type="checkbox"/>	Right Seat (Shown)
<input type="checkbox"/>	Left Seat

Job Name _____

Signature _____ Date: / / Approved _____

Certified to conform to ANSI Z124.1 and ASTM E- 162 Flame Spread Rating 200 or less and is under a program of factory inspection.

Manufactured by Frontline Mfg., Inc. Warsaw, IN

