



# Diamond Tub & Showers Spec Sheet

Model: BLT 3938-3

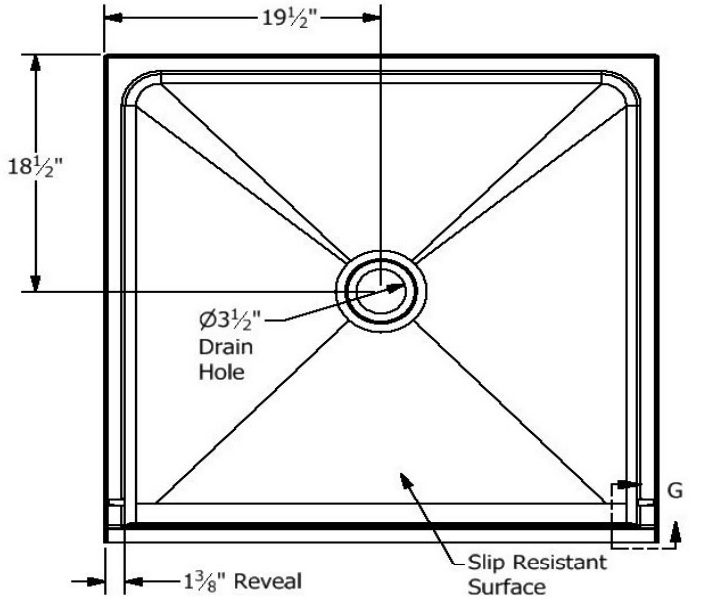
Description: One Piece Low Threshold Shower Base

## Specifications

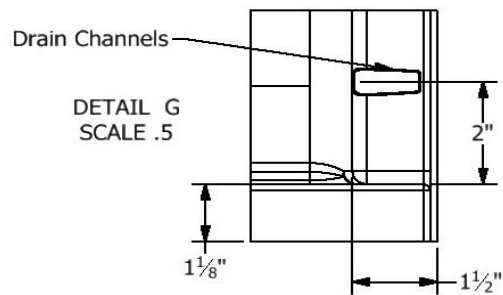
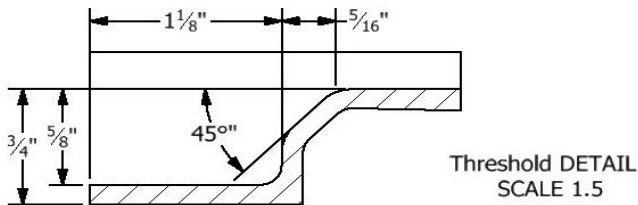
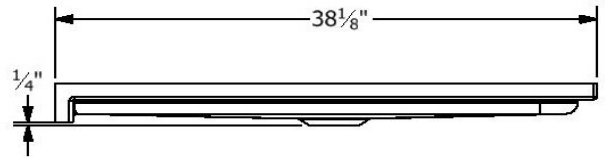
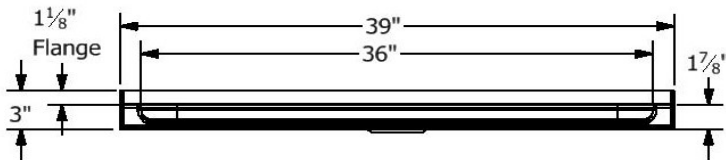
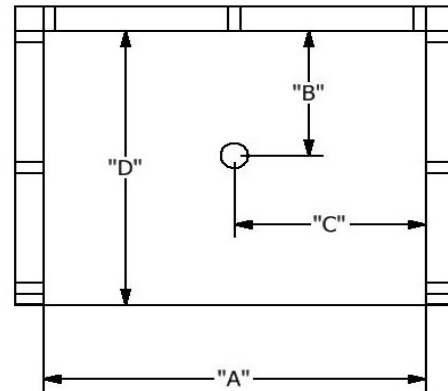
Model #	Material	Wall Finish	Pieces	Drain	Threshold Height	Net Weight Lbs.
BLT 3938-3	Fiberglass/Gelcoat	Smooth	1	C	3"	
Enclosure Opening						
Width		Height				
NA		NA				

## Framing Dimensions

A	B	C	D
39"	18 1/2"	19 1/2"	38 1/8"



## Framing Specifications



Certified to conform to ANSI Z124.1 and ASTM E-162 Flame Spread Rating 200 or less and is under a program of factory inspection.

Manufactured by Frontline Mfg., Inc. Warsaw, IN



6/11/21