



# Diamond Tub & Showers Spec Sheet

Model: TS 603777 R & L (Right Shown)

Description: One Piece Tub Shower (Right Shown)

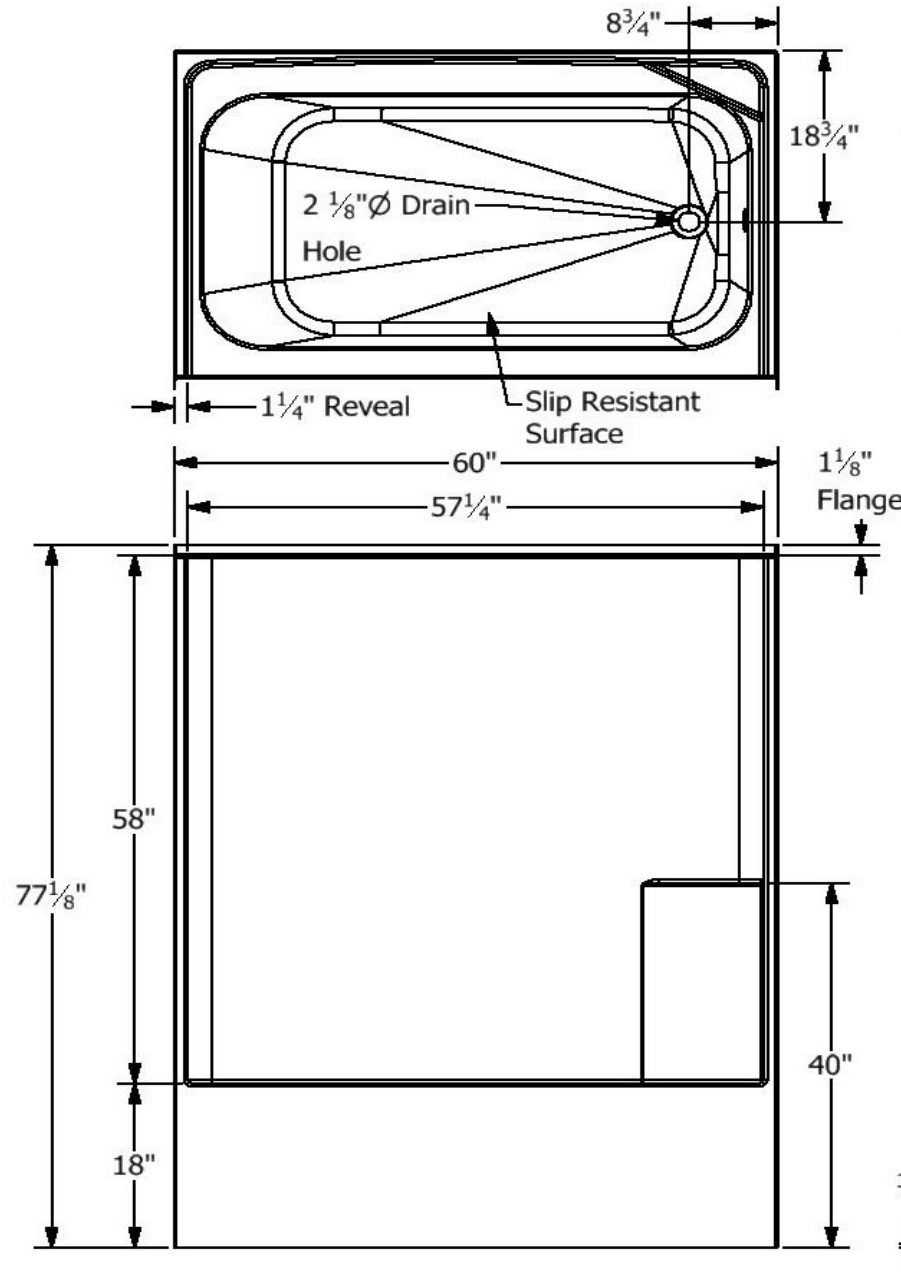
## Specifications

Model #	Material	Wall Finish	Pieces	Drain	Threshold Height	Net Weight Lbs.
TS 603777 R/L	Fiberglass/Gelcoat	Smooth	1	R/L	18"	
Enclosure Opening						
Width	Height	Top of Drain to Bottom of Overflow		Water Capacity		
57 1/4"	58"	13 1/8"		64.9 Gallons		

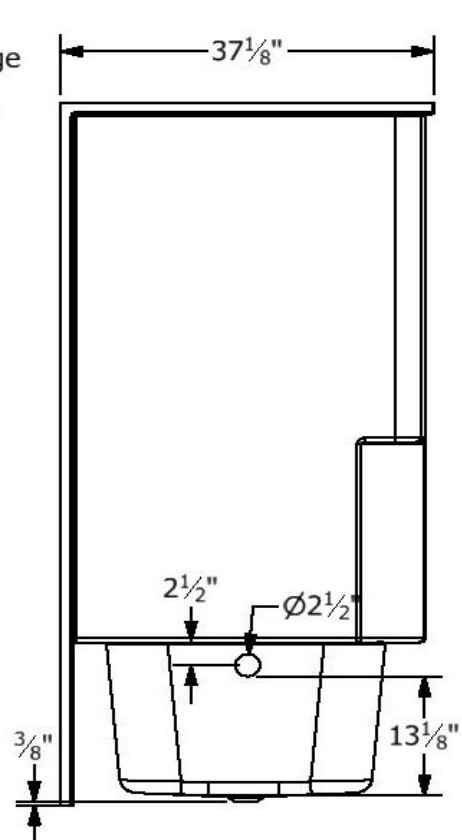
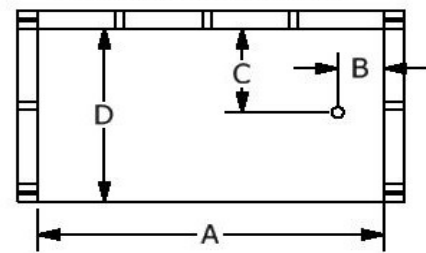
## Framing Dimensions

A	B	C	D
60"	8 3/4"	18 3/4"	37 1/8"

Note: All Doors Should Be Field Measured to Ensure Proper Fit



## Framing Specifications



Certified to conform to ANSI Z124.1 and ASTM E-162 Flame Spread Rating 200 or less and is under a program of factory inspection.

Manufactured by Frontline Mfg., Inc. Warsaw, IN



2/27/21



# Diamond Tub & Showers Spec Sheet

Model: TS 603779 R & L (Right Shown)

Description: One Piece Tub Shower (Right Shown)

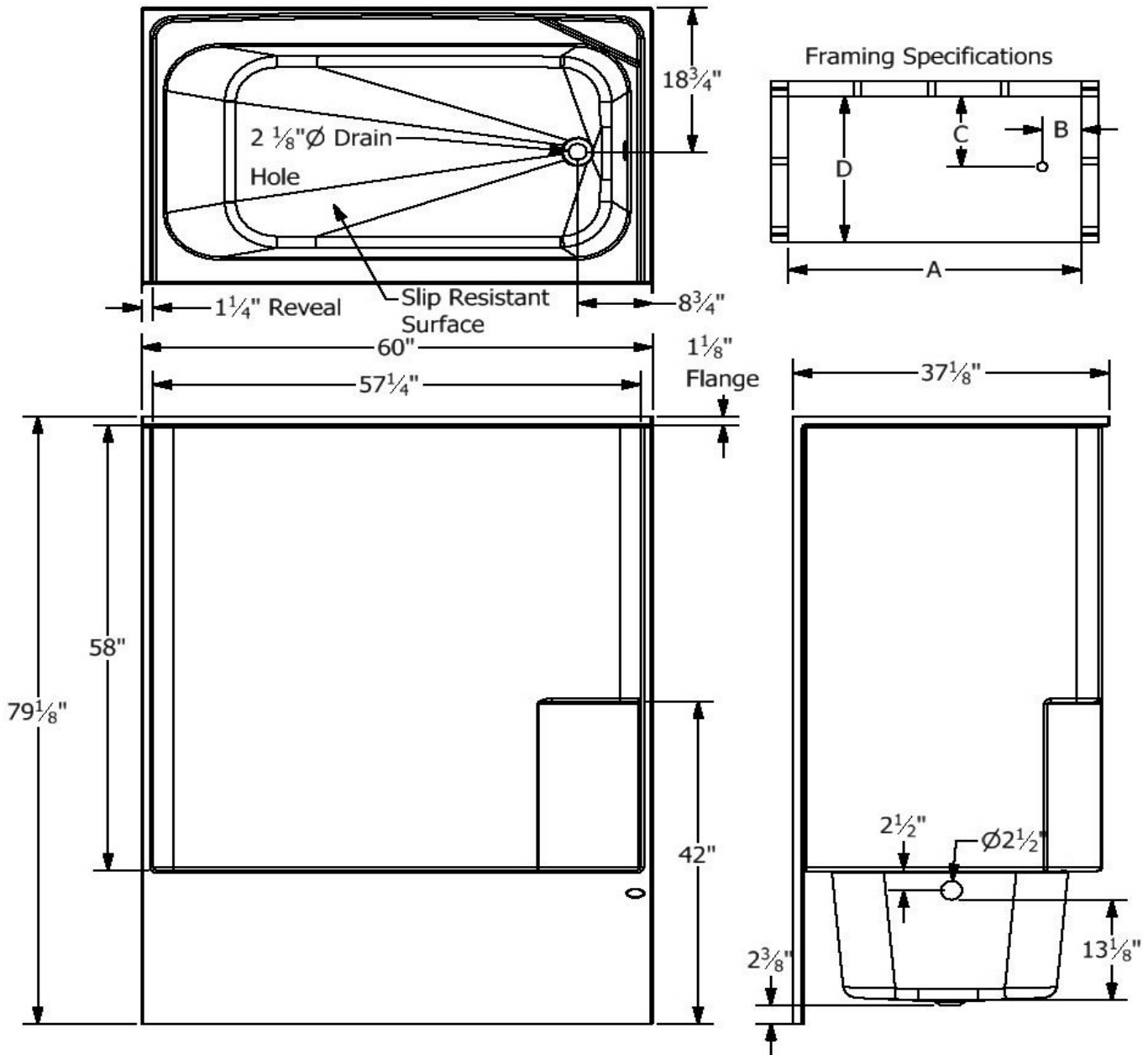
## Specifications

Model #	Material	Wall Finish	Pieces	Drain	Threshold Height	Net Weight Lbs.
TS 603777 R/L	Fiberglass/Gelcoat	Smooth	1	R/L	20"	
Enclosure Opening						
Width	Height	Top of Drain to Bottom of Overflow		Water Capacity		
57 1/4"	58"	13 1/8"		64.9 Gallons		

## Framing Dimensions

A	B	C	D
60"	8 3/4"	18 3/4"	37 1/8"

Note: All Doors Should Be Field Measured to Ensure Proper Fit



Certified to conform to ANSI Z124.1 and ASTM E-162 Flame Spread Rating 200 or less and is under a program of factory inspection.



2/27/21