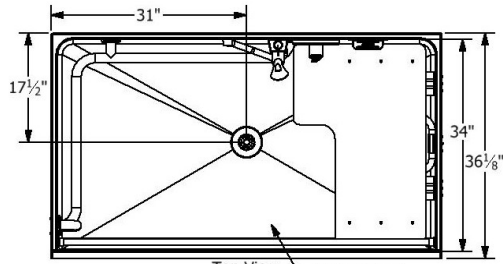




Diamond Tub & Showers Submittal Sheet

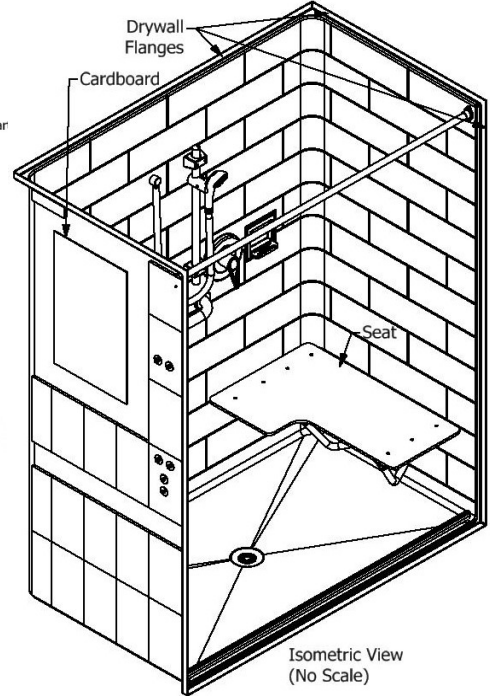
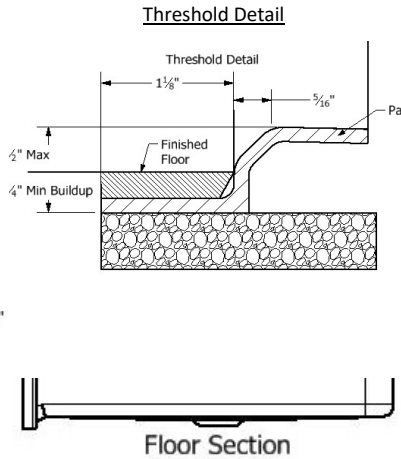
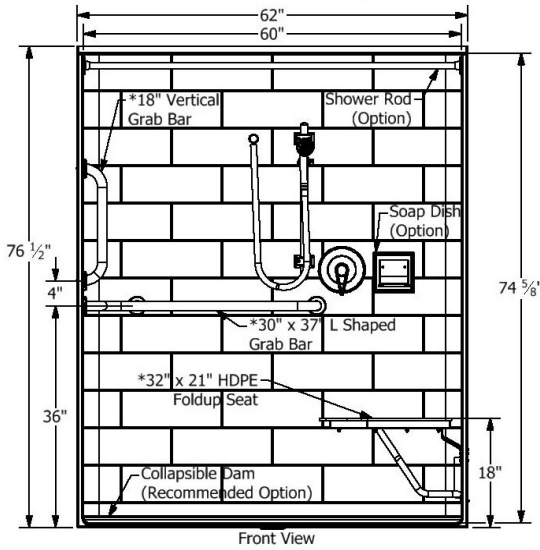
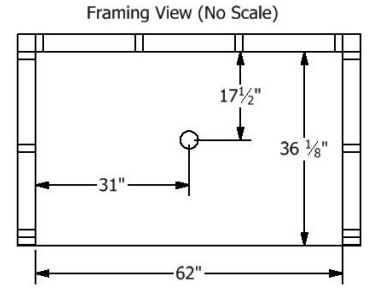
Model : SHTLT 623676

Description: One Piece Tiled Low Threshold Accessible Shower Unit
 ADA Compliant when specified with options denoted by asterisks "*"



Rough Dimensions
Outside: 62" x 36 1/8" x 76 1/2"
Inside: 60" x 34" x 74 5/8"

Note:
 ADA Compliant when installed according to ADA & Diamond guidelines, with required accessories marked "*". Additional options also available.



Diamond Tiled Tub & Shower Model SHTLT 623676: ADA compliant ; one piece shower enclosure constructed of 1/8" (min.) thick hand laminated reinforced fiberglass resin with high-quality gel coat and mirror finish; 7/16" O.S.B. structural reinforcement; integral 1 1/8" drywall flange (leading and top edges); reinforced solid floor features a 1/2" high beveled threshold, a center located 3 1/2" diameter drain opening and a slip resistant surface. Six (6) year commercial warranty. ADA Compliant when installed per ADA Guidelines with the manufacturers required accessories and installation requirements. Accessories required to meet ADA regulation: 1 1/2" SS Vertical Grab Bar, 1 1/2" x 30" x 37" L Shaped Grab Bar, and HDPE "L" Shaped Foldup Seat. Additional options include SS Soap Dish, SS Curtain Rod, 72" x 72" Weighted Shower Curtain (with hooks), and a 5' Collapsible Shower Dam (recommended to help contain water and shower curtain within the shower area). Other materials such as Shower Valve, Shower Head, Drain Fitting, Sealants, etc., supplied by others.

Accessories & Options:

32" x 21" Foldup Seat, R or L *
1 1/2" x 30" x 37" L-Shaped Grab Bar *
1 1/2" x 18" Vertical Grab Bar *
5' SS Curtain Rod
72 x 72 Shower Curtain with Hooks
SS Soap Dish
6' Collapsible Dam
1 1/2" x 30" x 60" U-Bar

QTY Configuration

	Right Seat (Shown)
	Left Seat

Job Name _____

Date: / /

Signature _____ Approved

Certified to conform to ANSI Z124.1 and ASTM E- 162 Flame Spread Rating 200 or less and is under a program of factory inspection.

Manufactured by Frontline Mfg., Inc. Warsaw, IN



8/31/20