



Diamond Tub & Showers Spec Sheet

Model: SLS/SRS 483779 (SLS/SRS 4837XX) (Left Shown)

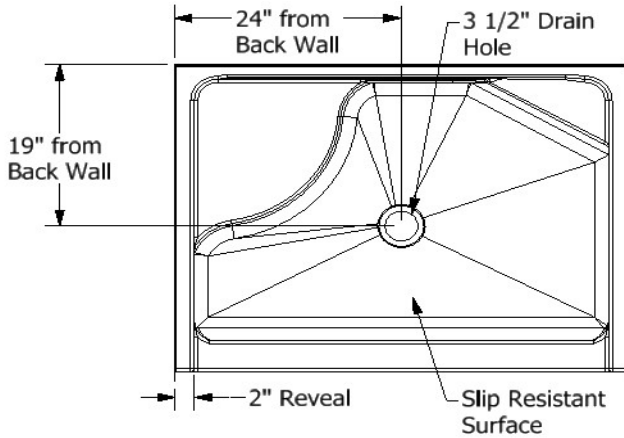
Description: One Piece Shower Unit with Left Seat

Specifications

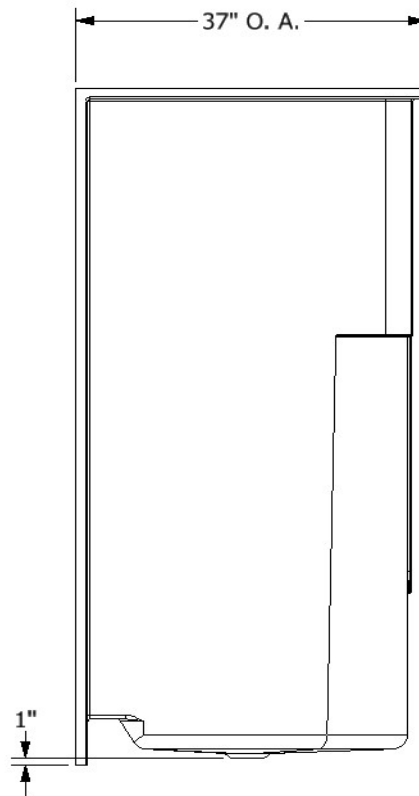
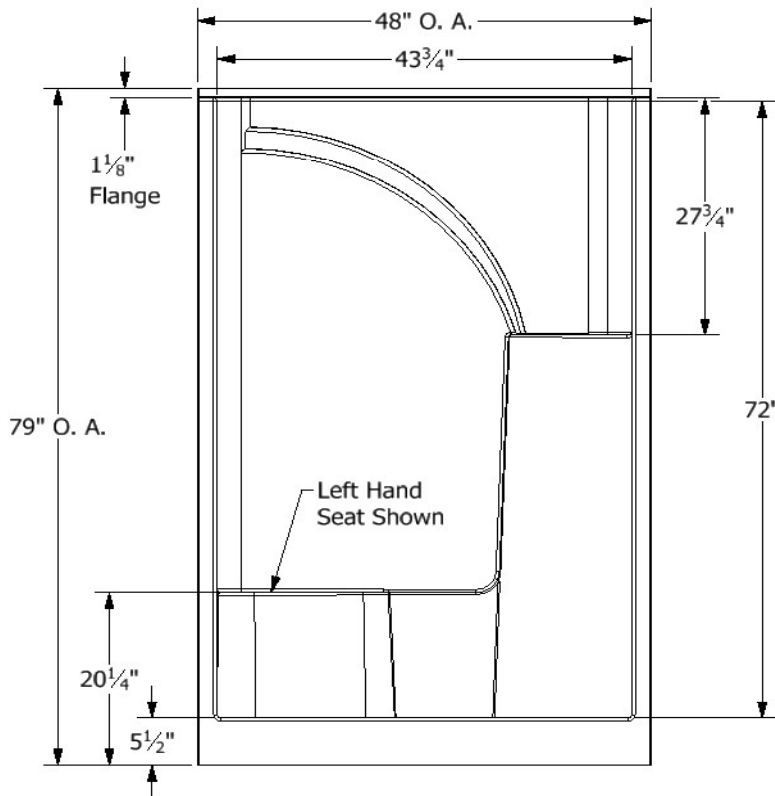
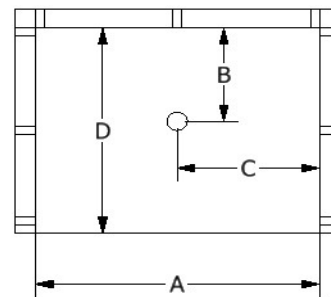
Model #	Material	Wall Finish	Pieces	Drain	Threshold Height	Net Weight Lbs.
SLS/SRS 483779	Fiberglass/Gelcoat	Smooth	1	C	5 1/2"	
Enclosure Opening						
Width		Height				
43 3/4"		72"				

Framing Dimensions

A	B	C	D
48"	19"	24"	37"



Framing Specifications



Certified to conform to ANSI Z124.1 and ASTM E-162 Flame Spread Rating 200 or less and is under a program of factory inspection.

Manufactured by Frontline Mfg., Inc. Warsaw, IN



5/31/19



Diamond Tub & Showers Spec Sheet

Model: SLS/SRS 483781 (Left Shown)

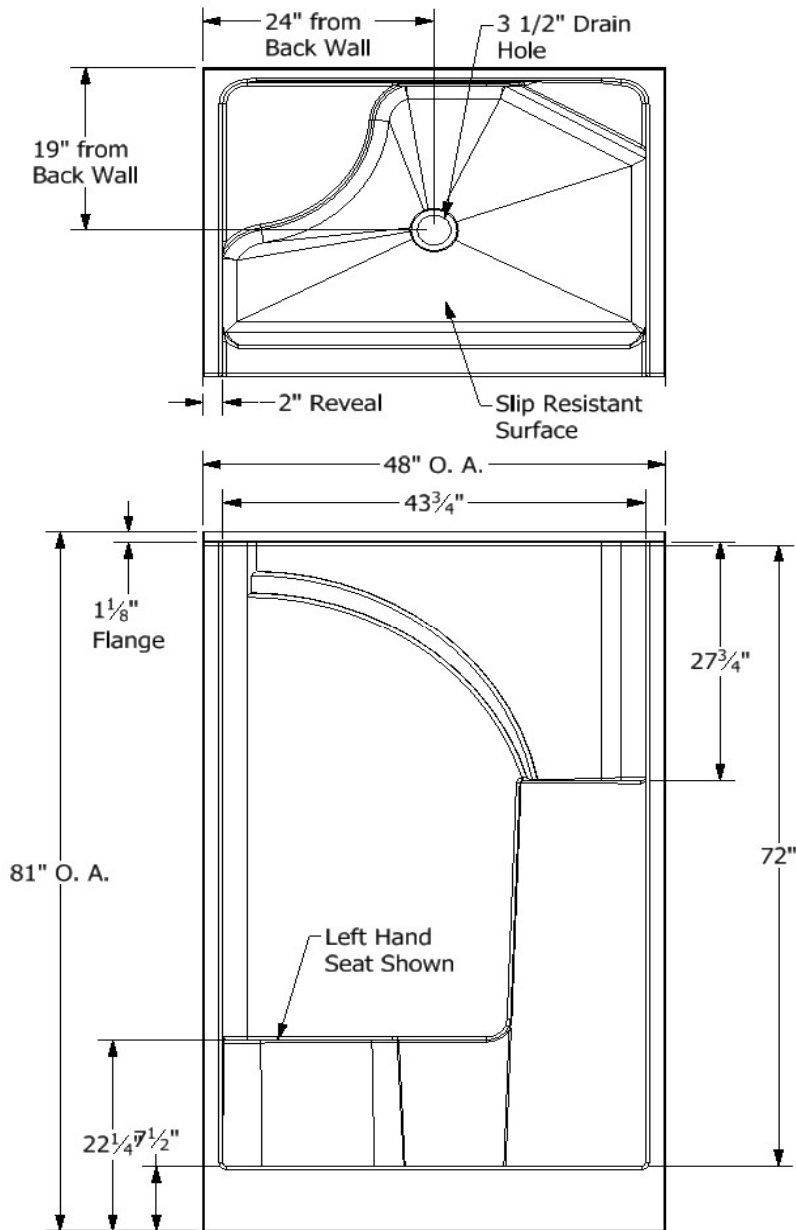
Description: One

Specifications

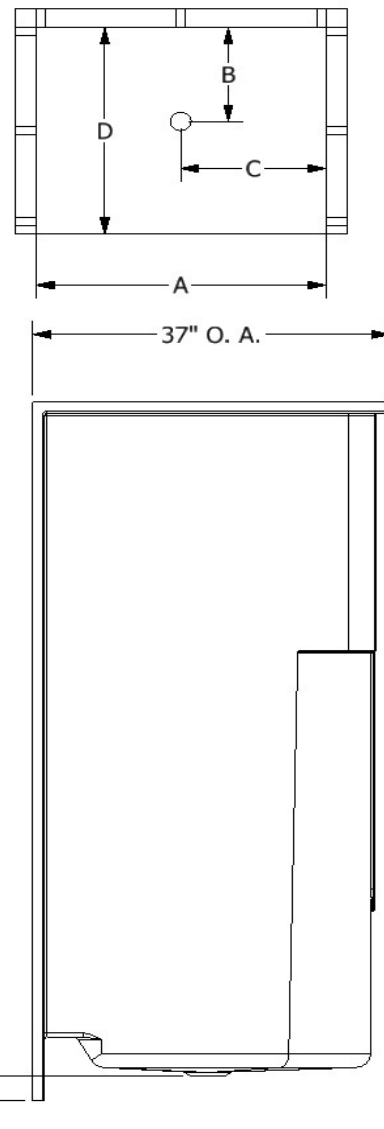
Model #	Material	Wall Finish	Pieces	Drain	Threshold Height	Net Weight Lbs.
SLS/SRS 483781	Fiberglass/Gelcoat	Smooth	1	C	7 1/2"	
Enclosure Opening						
Width	Height					
43 3/4"	72"					

Framing Dimensions

A	B	C	D
48"	19"	24"	37"



Framing Specifications



Certified to conform to ANSI Z124.1 and ASTM E- 162 Flame Spread Rating 200 or less and is under a program of factory inspection.

Manufactured by Frontline Mfg., Inc. Warsaw, IN



5/31/19