



# Diamond Tub & Showers Spec Sheet

Model: SLS/SRS 483776 (Left Shown)

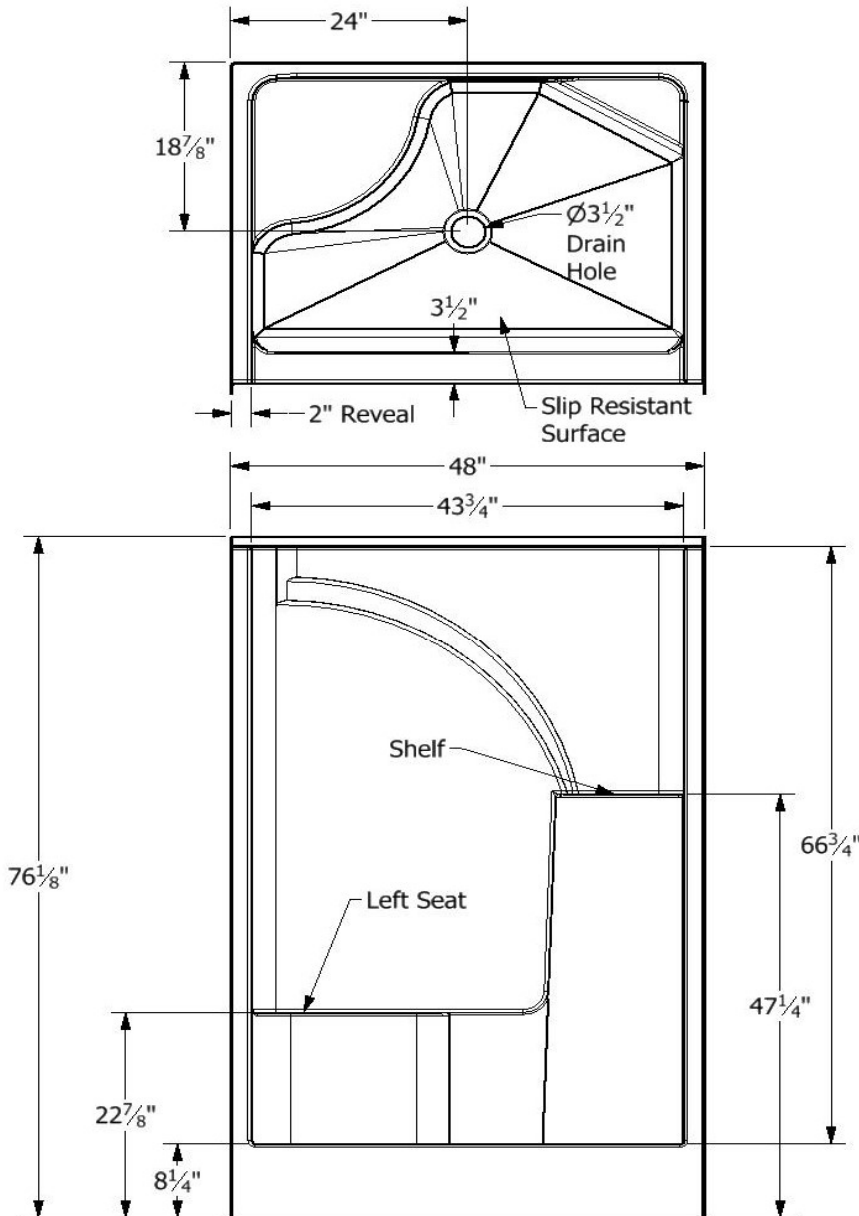
Description: One Piece Shower Unit with Left Seat

## Specifications

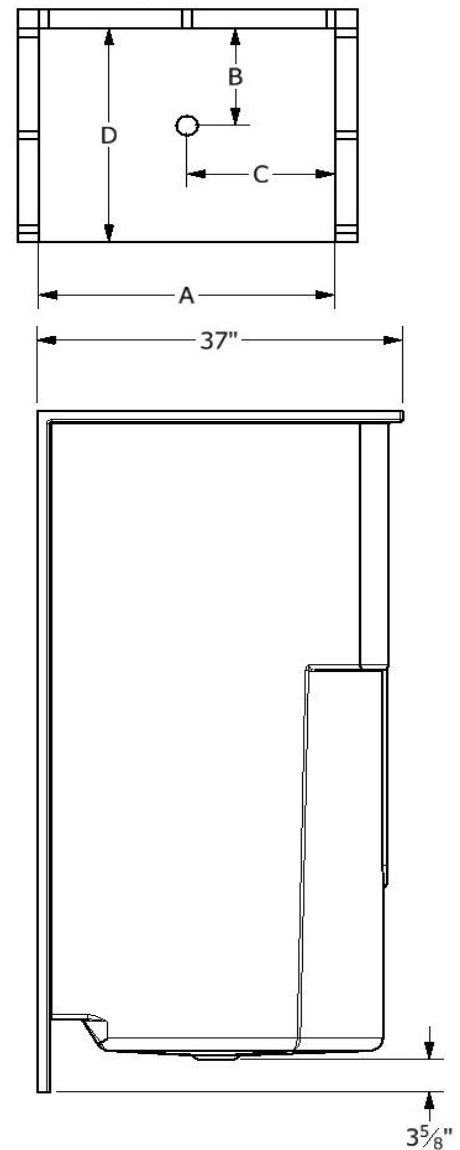
Model #	Material	Wall Finish	Pieces	Drain	Threshold Height	Net Weight Lbs.
SLS/SRS 483776	Fiberglass/Gelcoat	Smooth	1	C	8 1/4"	
Enclosure Opening						
Width	Height					
43 3/4"	76"					

## Framing Dimensions

A	B	C	D
48"	18 7/8"	24"	37"



## Framing Specifications



This product is tested by ICC-ES and is certified to conform to the requirements of CSA B45.5/IAMPO Z124 standard.

Manufactured by Frontline Mfg., Inc. Warsaw, IN



4/17/20