



Diamond Tub & Showers Spec Sheet

Model: TSTB 603379 L/R Drain (LH Shown)

Description: Tub/Shower Combo 1 Piece Unit

Specifications

Model #	Material	Wall Finish	Pieces	Drain	Apron Height	Net Weight Lbs.
TSTB 603379	Fiberglass/ Gelcoat	Tile	1	LH/RH	16"	

Sump Data

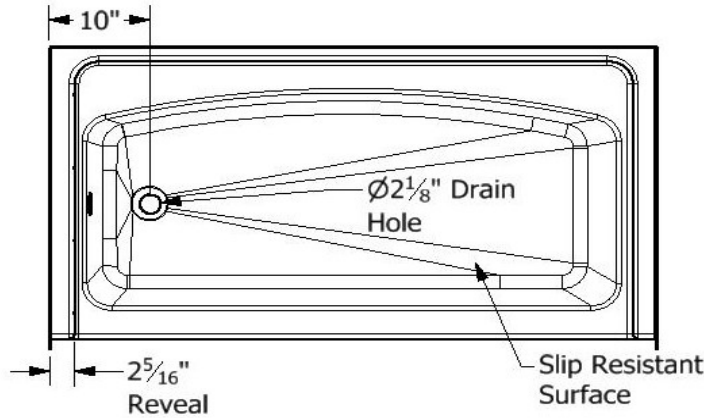
Top of Drain to Bottom of Overflow	Capacity to Overflow Gallons	Top Dimensions		Bottom Dimensions	
		Length	Width	Length	Width
10 3/4"	43.4	54"	24 1/4"	47 3/4"	20 1/2"

Framing Dimensions

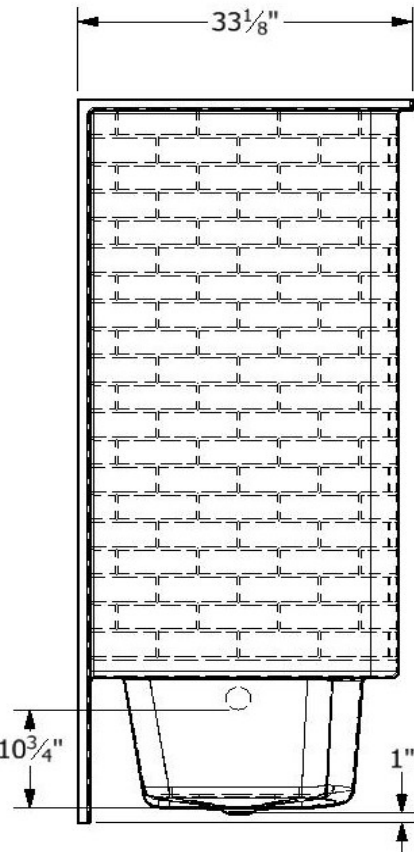
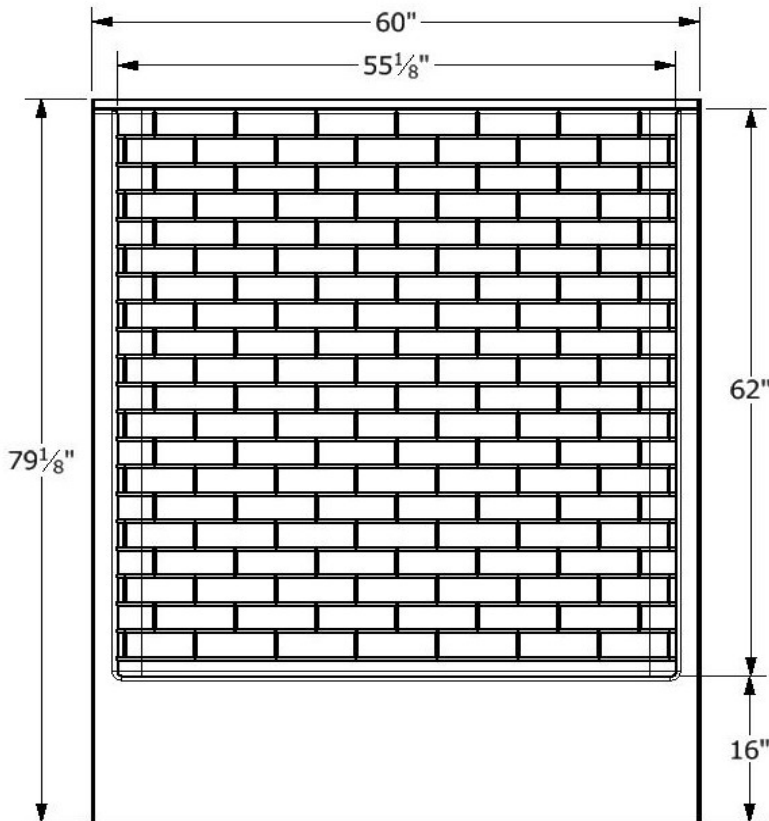
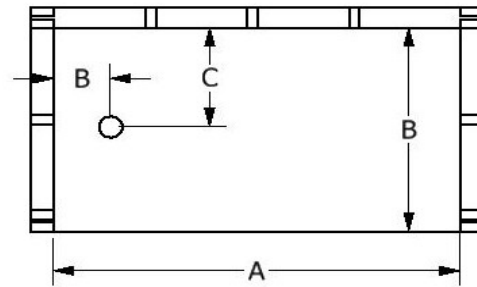
A	B	C	D
60"	10"	17 1/4"	33 1/8"

Enclosure Opening

Length	Width
55 1/8"	62"



Framing Specifications



Certified to conform to ANSI Z124.1 and ASTM E-162 Flame Spread Rating 200 or less and is under a program of factory inspection.

Manufactured by Front Line Mfg., Inc. Warsaw, IN



3/3/20



Diamond Tub & Showers Spec Sheet
Model: TSTB 603381 L/R Drain (LH Shown)
Description: Tub/Shower Combo 1 Piece Unit

Specifications

Model #	Material	Wall Finish	Pieces	Drain	Apron Height	Net Weight Lbs.
TSTB 603381	Fiberglass/ Gelcoat	Tile	1	LH/RH	18"	

Sump Data

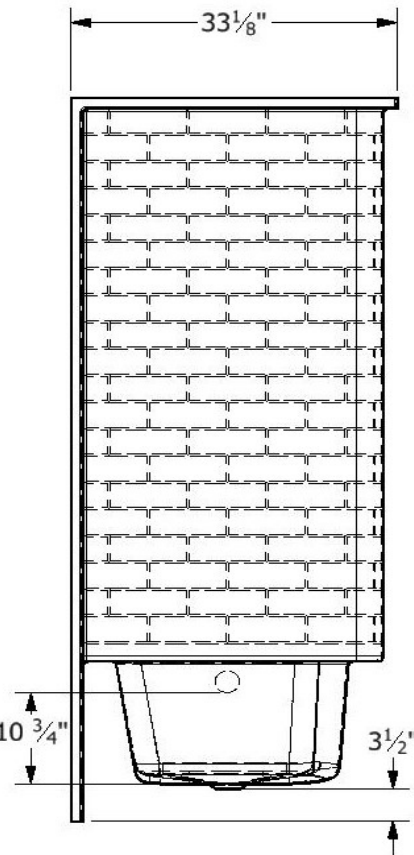
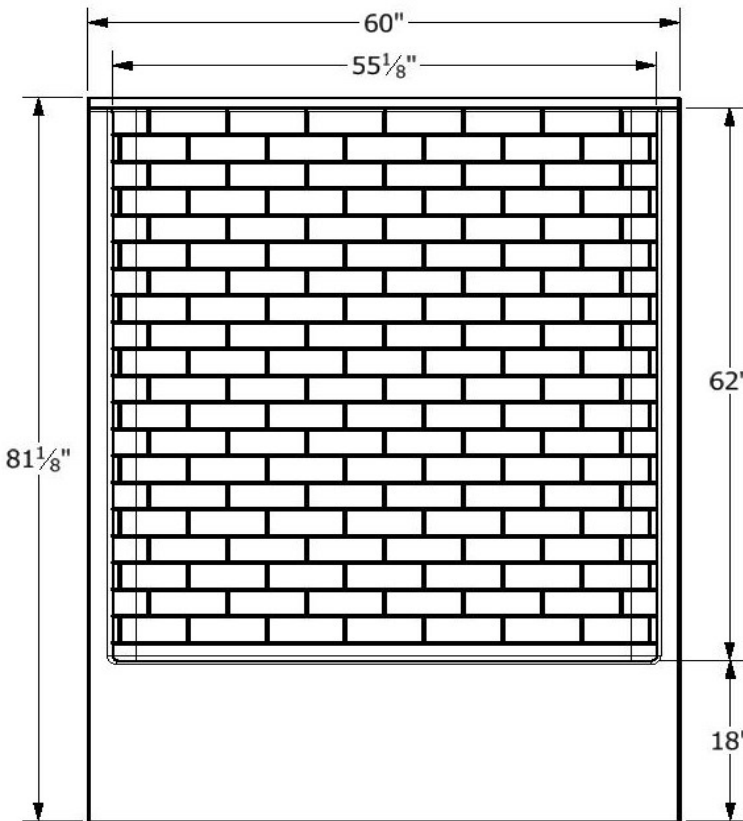
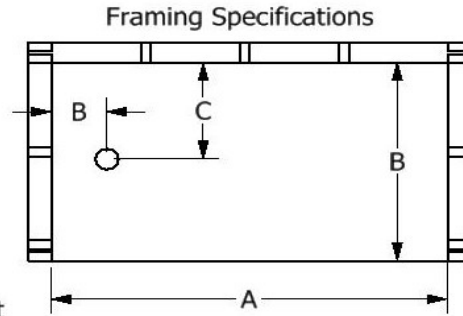
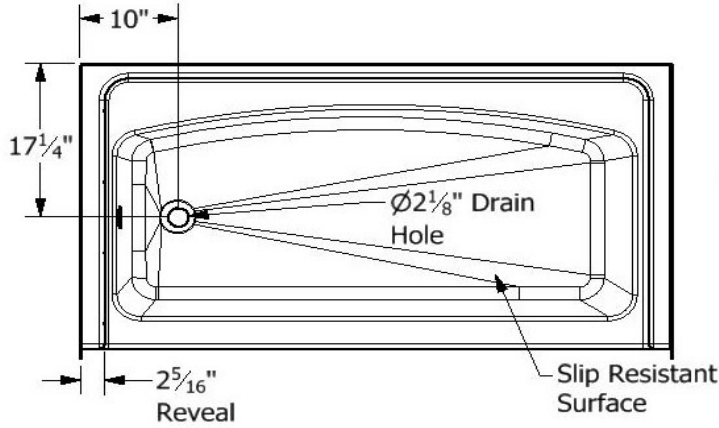
Top of Drain to Bottom of Overflow	Capacity to Overflow Gallons	Top Dimensions		Bottom Dimensions	
		Length	Width	Length	Width
10 3/4"	43.4	54"	24 1/4"	47 3/4"	20 1/2"

Framing Dimensions

A	B	C	D
60"	10"	17 1/4"	33 1/8"

Enclosure Opening

Length	Width
55 1/8"	62"



Certified to conform to ANSI Z124.1 and ASTM E-162 Flame Spread Rating 200 or less and is under a program of factory inspection.

Manufactured by Front Line Mfg., Inc. Warsaw, IN

