



Diamond Tub & Showers Spec Sheet

Model: TOAW 604225 R/L

Description: Tub Only with Apron and Wainscot (Left Drain Shown)

Specifications

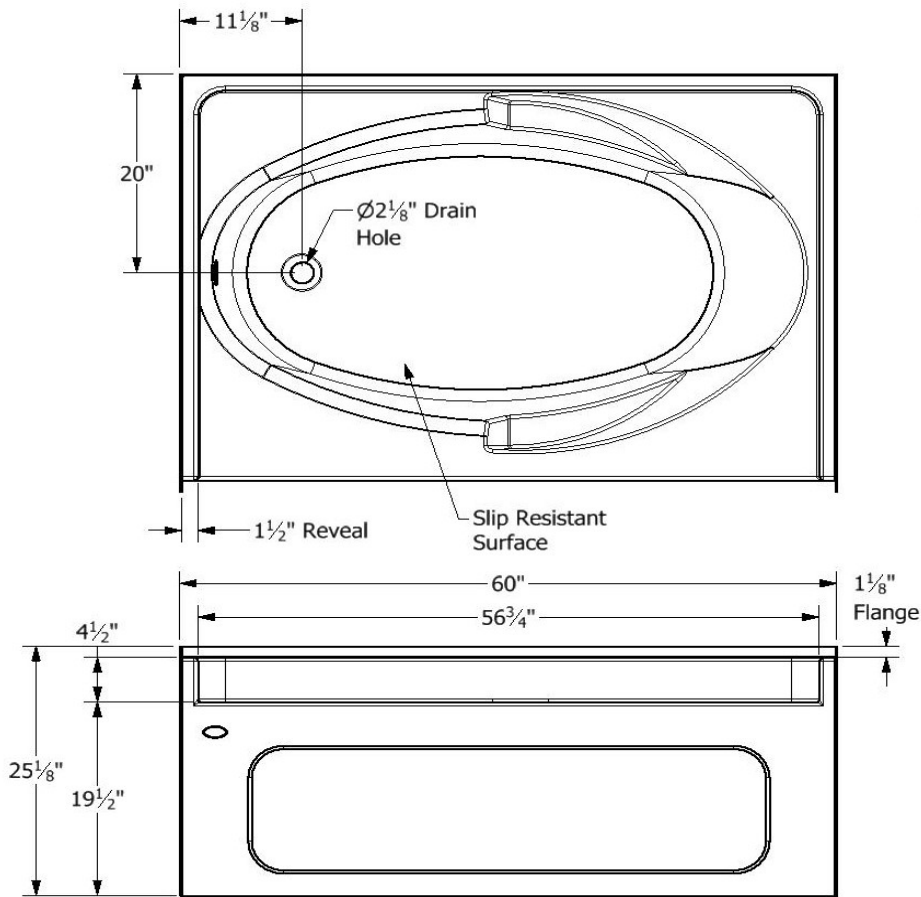
Model #	Material	Wall Finish	Pieces	Drain	Apron Height	Net Weight Lbs.
TOAW 604225	Fiberglass/ Gelcoat	Smooth	1	R/L	19 1/2"	

Sump Data

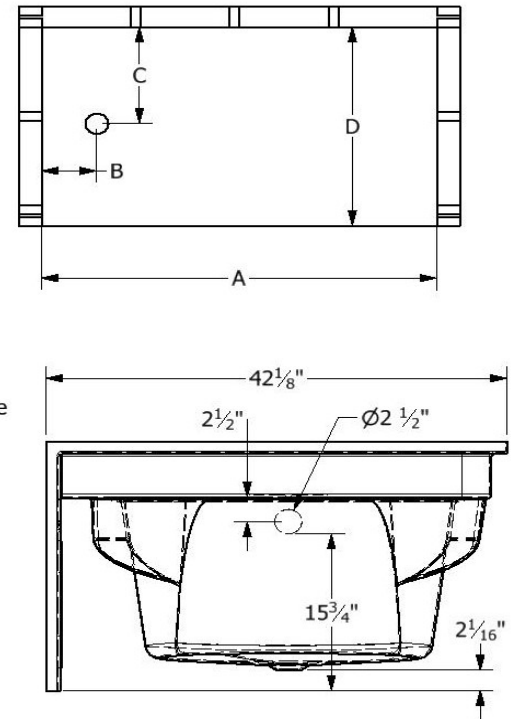
Top of Drain to Bottom of Overflow	Capacity to Overflow Gallons	Top Dimensions		Bottom Dimensions	
		Length	Width	Length	Width
15 3/4"	58.0	54 1/2"	30"	43 7/8"	26"

Framing Dimensions

A	B	C	D
60"	11 1/8"	20"	42 1/8"



Framing Specifications



Certified to conform to ANSI Z124.1 and ASTM E-162 Flame Spread Rating 200 or less and is under a program of factory

Manufactured by Frontline
 ICC
ES
 c PMG
 12/18/19



Diamond Tub & Showers Spec Sheet

Model: TOAW 604227 R/L

Description: Tub Only with Apron and Wainscot (Left Drain Shown)

Specifications

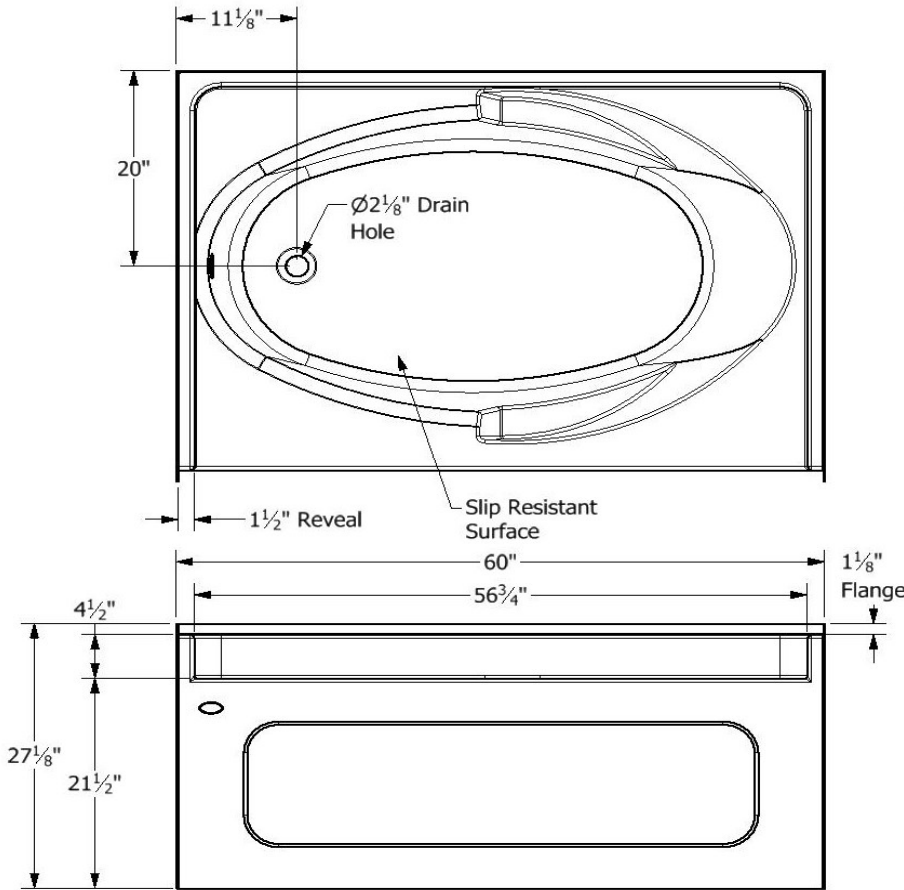
Model #	Material	Wall Finish	Pieces	Drain	Apron Height	Net Weight Lbs.
TOAW 604227	Fiberglass/ Gelcoat	Smooth	1	R/L	21 1/2"	

Sump Data

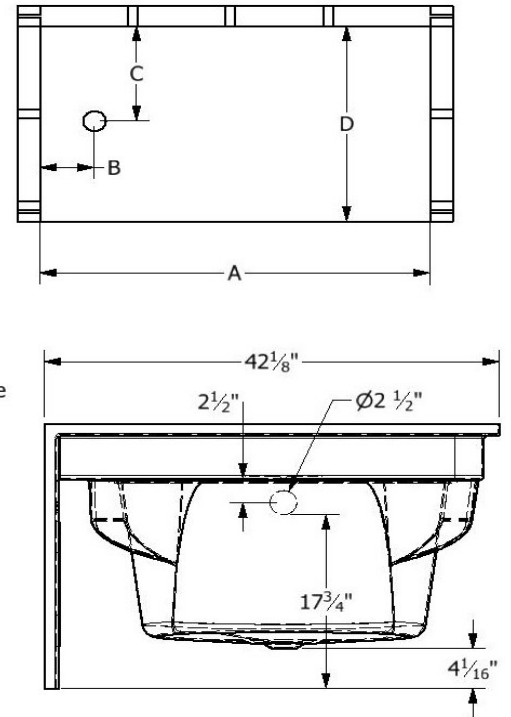
Top of Drain to Bottom of Overflow	Capacity to Overflow Gallons	Top Dimensions		Bottom Dimensions	
		Length	Width	Length	Width
17 3/4"	58.0	54 1/2"	30"	43 7/8"	26"

Framing Dimensions

A	B	C	D
60"	11 1/8"	20"	42 1/8"



Framing Specifications



Certified to conform to ANSI Z124.1 and ASTM E-162 Flame Spread Rating 200 or less and is under a program of factory

Manufactured by Frontline
 ICC
ES
 c PMG 12/18/19