



Diamond Tub & Showers Spec Sheet

Model: TT 603677 R/L (Right Drain Shown)

Description: Tub/Shower Combo 1 Piece Unit

Specifications

Model #	Material	Wall Finish	Pieces	Drain	Apron Height	Net Weight Lbs.
TT 603677 R/L	Fiberglass/Gelcoat	Smooth	1	R/L	18"	

Sump Data

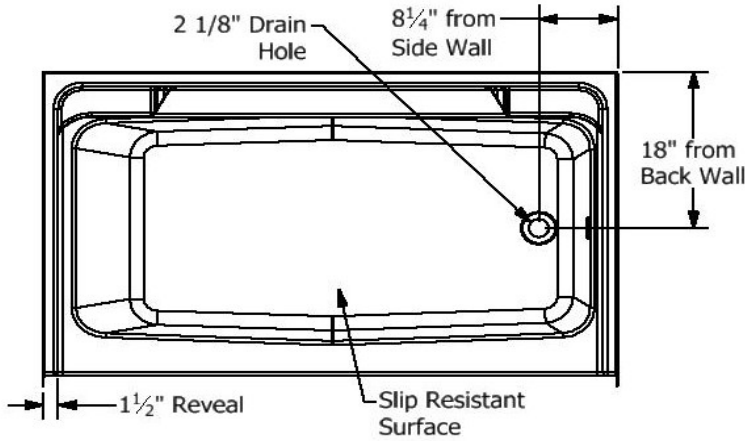
Top of Drain to Bottom of Overflow	Capacity to Overflow Gallons	Top Dimensions		Bottom Dimensions	
		Length	Width	Length	Width
12 7/16"	58.0	54 1/2"	26 1/4"	46 1/4"	23 1/2"

Framing Dimensions

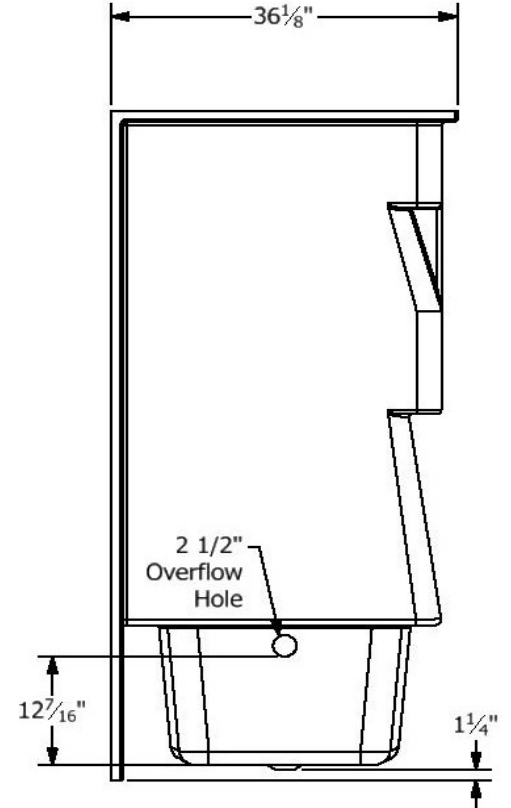
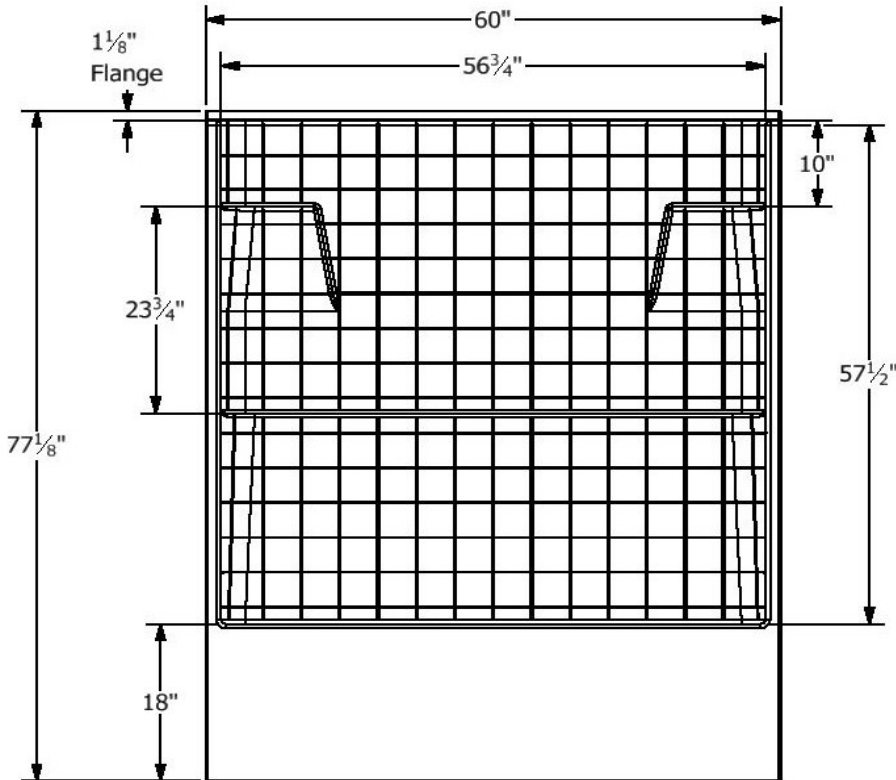
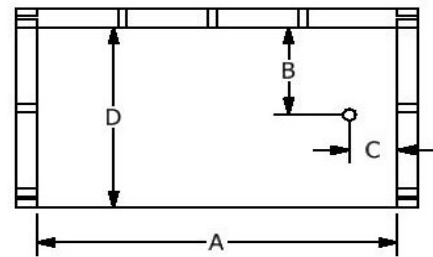
A	B	C	D
60 1/8"	36 1/8"	18"	8 1/4"

Enclosure Opening

Length	Width
56 3/4"	57 1/2"



Framing Specifications

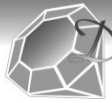


Certified to conform to ANSI Z124.1 and ASTM E-162 Flame Spread Rating 200 or less and is under a program of factory inspection.

Manufactured by Front Line Mfg., Inc. Warsaw, IN



5/31/19



Diamond TUB & SHOWERS
www.diamondtubshowers.com where design and durability meet

Diamond Tub & Showers Spec Sheet

Model: **TT 603679 R/L (Right Drain Shown)**

Description: **Tub/Shower Combo 1 Piece Unit**

Specifications

Model #	Material	Wall Finish	Pieces	Drain	Apron Height	Net Weight Lbs.
TT 603679 R/L	Fiberglass/ Gelcoat	Smooth	1	R/L	20"	

Sump Data

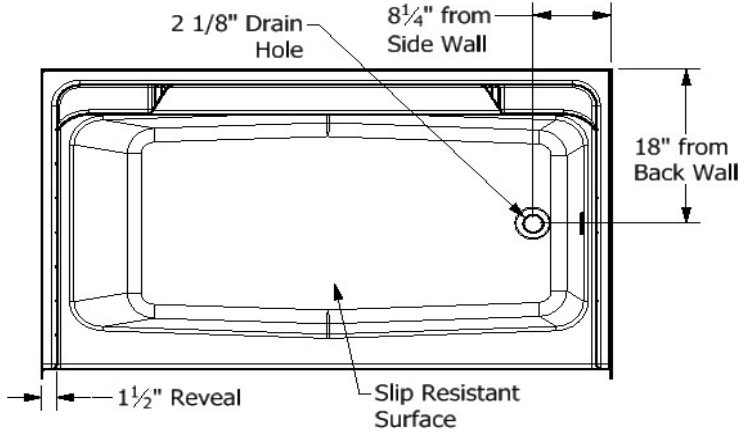
Top of Drain to Bottom of Overflow	Capacity to Overflow	Top Dimension	Bottom Dimensions
12 7/16"	58.0	54 1/2"	26 1/4" 46 1/4" 23 1/2"

Framing Dimensions

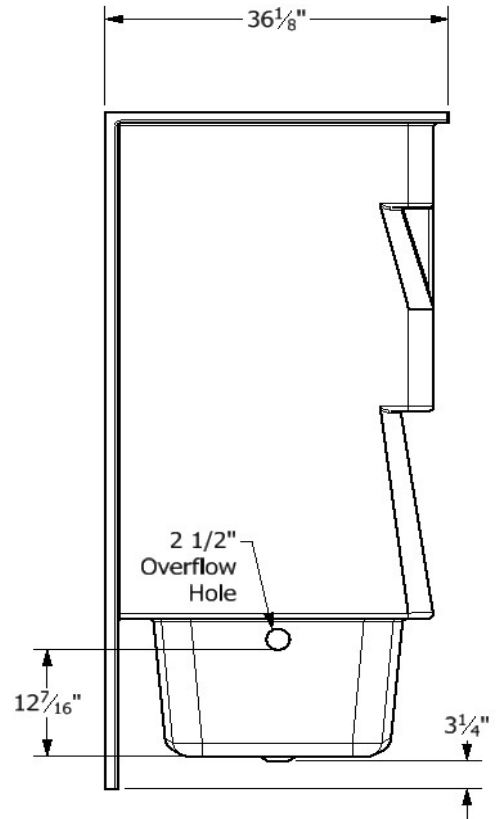
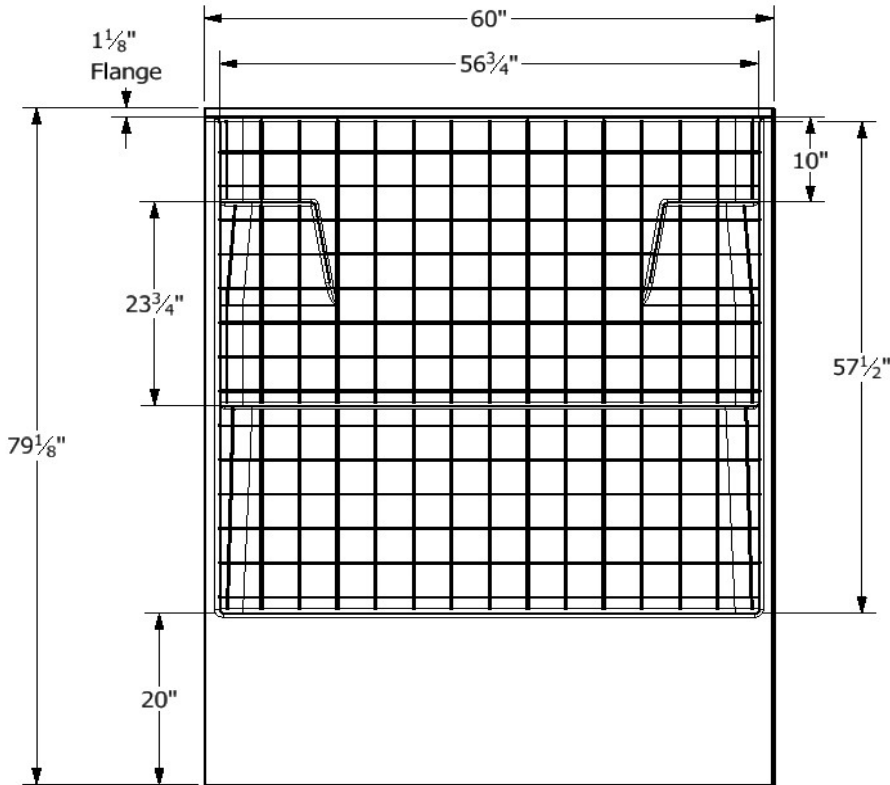
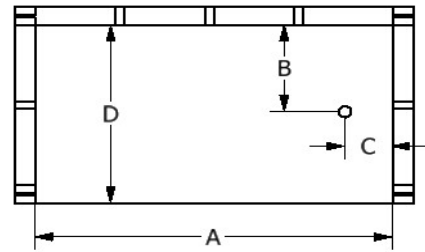
A	B	C	D
60 1/8"	36 1/8"	18"	8 1/4"

Enclosure Opening

Length	Width
56 3/4"	57 1/2"



Framing Specifications



Certified to conform to ANSI Z124.1 and ASTM E- 162 Flame Spread Rating 200 or less and is under a program of factory inspection.

Manufactured by Front Line Mfg., Inc. Warsaw, IN



5/31/19