



# Diamond Tub & Showers Spec Sheet

Model: TT 603374 R/L

Description: One Piece Tiled Tub/Shower Combo (Right Shown)

## Specifications

Model #	Material	Wall Finish	Pieces	Drain	Apron Height	Net Weight Lbs.
TT 603374 R/L	Fiberglass/ Gelcoat	Tiled	1	LH/RH	15"	

## Sump Data

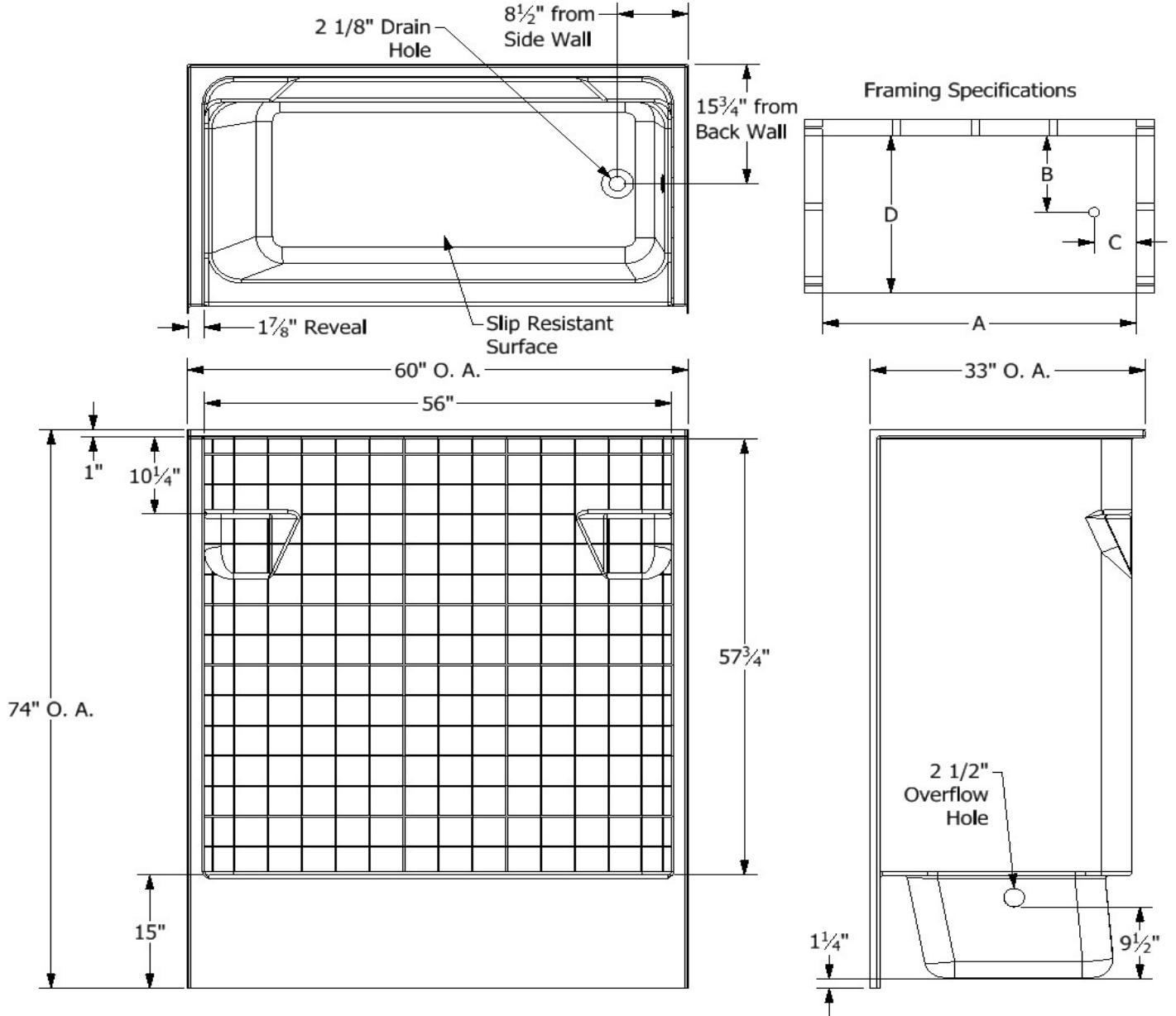
Top of Drain to Bottom of Overflow	Capacity to Overflow Gallons	Top Dimensions		Bottom Dimensions	
		Length	Width	Length	Width
9 1/2"	41.3	53 1/4"	25"	45"	20 1/2"

## Framing Dimensions

A	B	C	D
60"	15 3/4"	8 1/2"	33"

## Enclosure Opening

Length	Width
56"	57 3/4"



Certified to conform to HUD/UM73b, ANSI Z124.1, and ASTM E-162 Flame Spread Rating 200 or less and is under a program of factory inspection.

Manufactured by Frontline Mfg., Inc. Warsaw, IN  
 5/31/19



# Diamond Tub & Showers Spec Sheet

Model: TT 603376 R/L

Description: One Piece Tiled Tub/Shower Combo (Right Shown)

## Specifications

Model #	Material	Wall Finish	Pieces	Drain	Apron Height	Net Weight Lbs.
TT 603374 R/L	Fiberglass/ Gelcoat	Tiled	1	LH/RH	17"	

## Sump Data

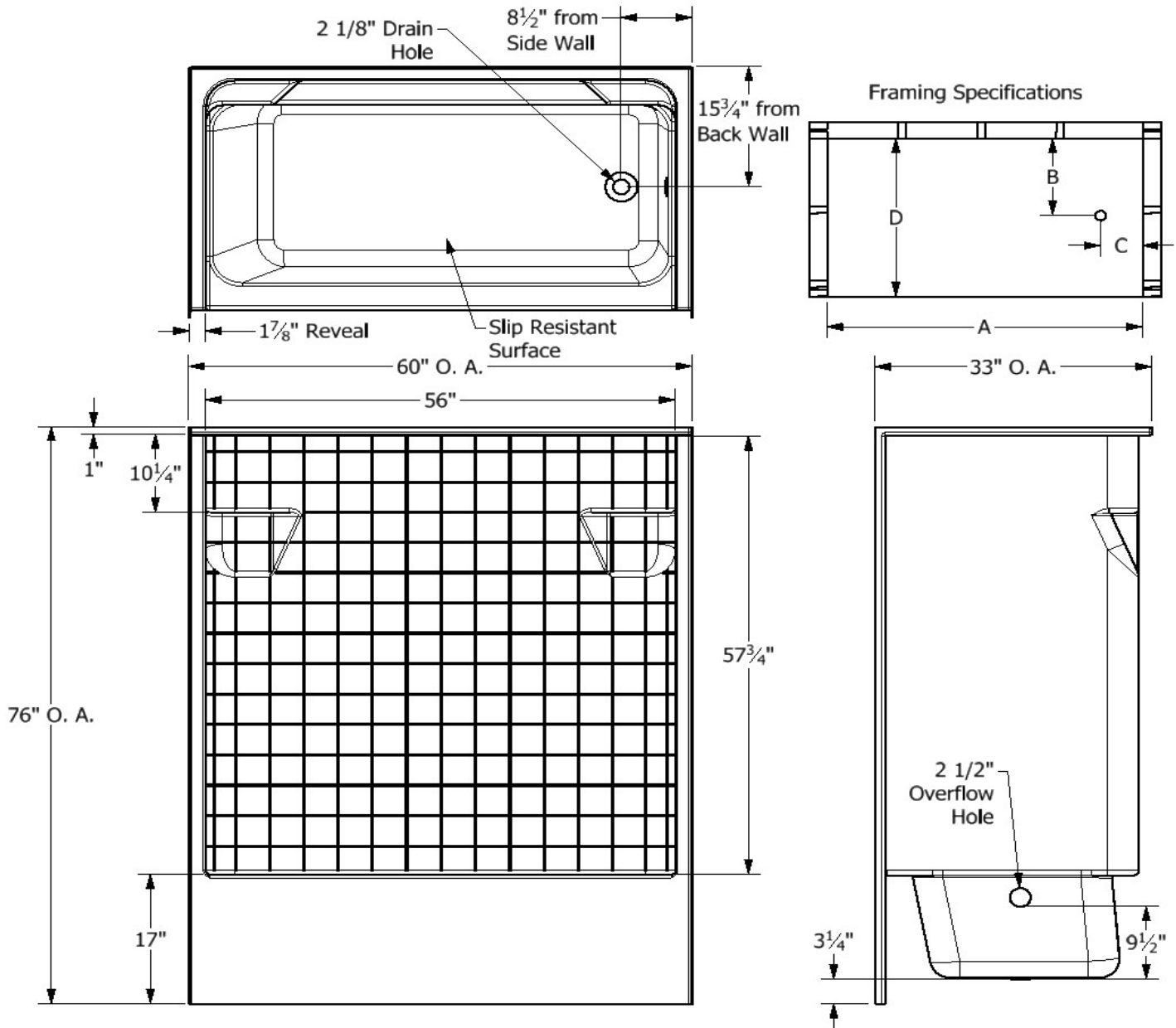
Top of Drain to Bottom of Overflow	Capacity to Overflow Gallons	Top Dimensions		Bottom Dimensions	
		Length	Width	Length	Width
9 1/2"	41.3	53 1/4"	25"	45"	20 1/2"

## Framing Dimensions

A	B	C	D
60"	15 3/4"	8 1/2"	33"

## Enclosure Opening

Length	Width
56"	57 3/4"



Certified to conform to ANSI Z124.1 and ASTM E- 162 Flame Spread Rating 200 or less and is under a program of factory inspection.

Manufactured by Frontline Mfg., Inc. Warsaw,



5/31/19