



# Diamond Tub & Showers Spec Sheet

Model: TOCF 6023

Description: 1 Piece Corner Tub with Nailing Flange

## Specifications

Model #	Material	Wall Finish	Pieces	Drain	Apron Height	Net Weight Lbs.
TOCF 6023	Fiberglass/ Gelcoat	Smooth	1	Front Center	20 3/4"	

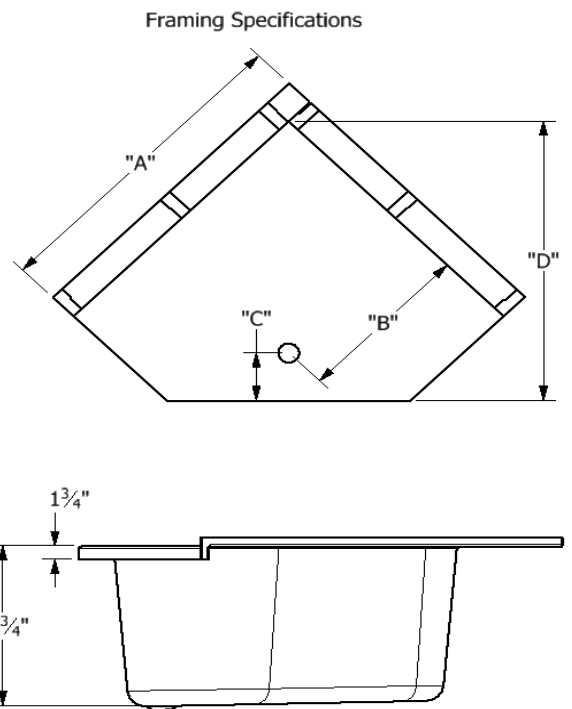
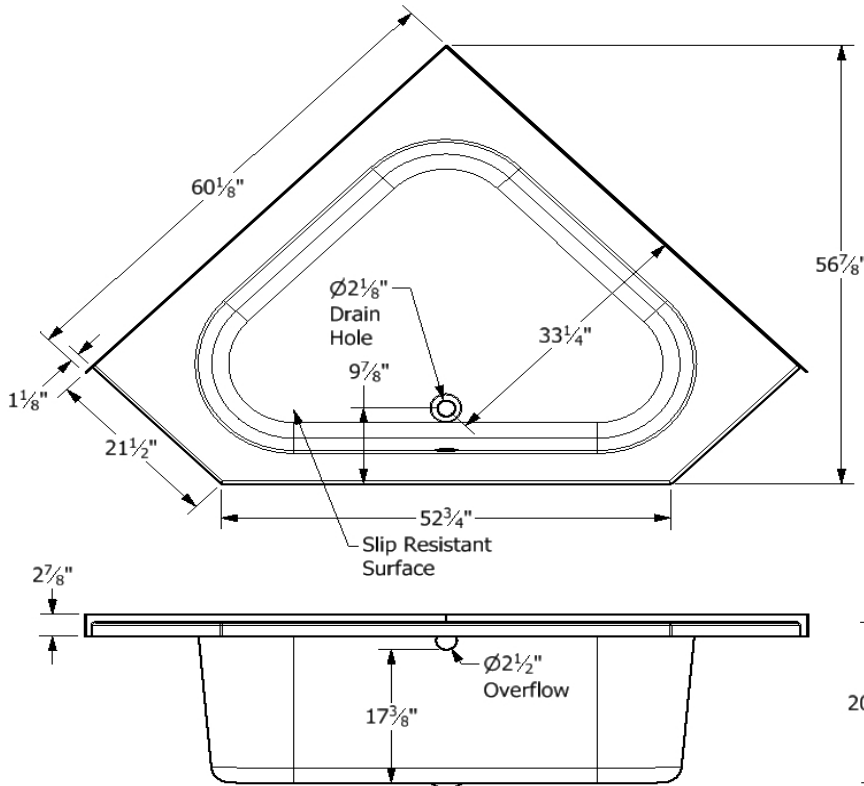
## Sump Data

Top of Drain to Bottom of Overflow	Capacity to Overflow Gallons	Top Dimensions Length	Top Dimensions Width	Bottom Dimensions Length	Bottom Dimensions Width
17 3/8"	134.3	NA	NA	NA	NA

## Framing Dimensions

A	B	C	D
60 1/8"	33 1/4"	9 7/8"	56 7/8"

Nailing Flange
1 1/8"



Certified to conform to ANSI Z124.1, and ASTM E- 162 Flame Spread Rating 200 or less and is under a program of factory inspection.

Manufactured by Front Line Mfg., Inc. Warsaw, IN



5/28/19