



# Diamond Tub & Showers Spec Sheet

Model: TOC 5922

Description: 1 Piece Corner Tub with Apron

## Specifications

Model #	Material	Wall Finish	Pieces	Drain	Apron Height	Net Weight Lbs.
TOC 5922	Fiberglass/ Gelcoat	Smooth	1	Front Center	NA	

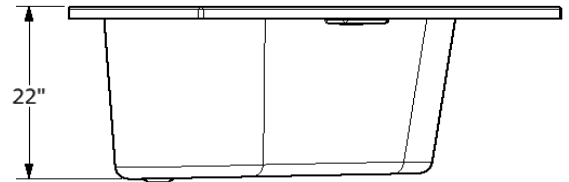
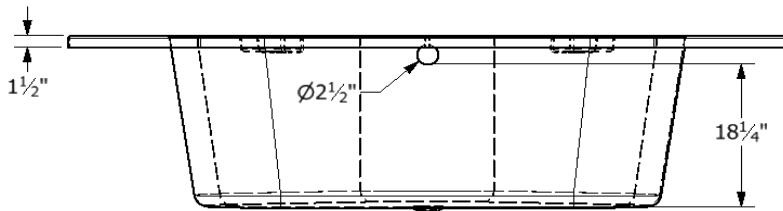
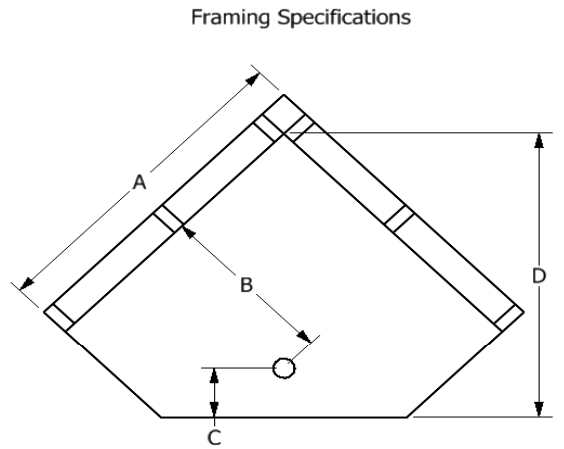
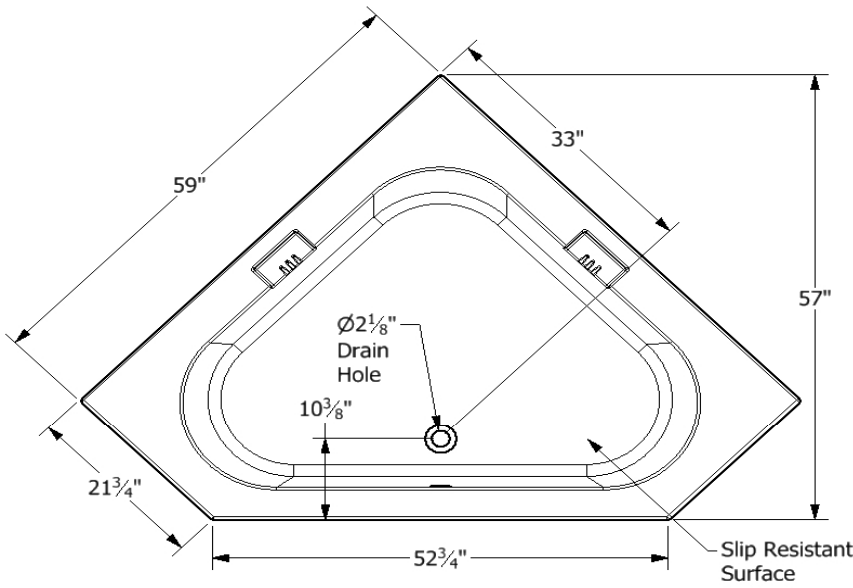
## Sump Data

Top of Drain to Bottom of Overflow	Capacity to Overflow Gallons	Top Dimensions		Bottom Dimensions	
		Length	Width	Length	Width
18 1/4"	109.0	NA	NA	NA	NA

## Framing Dimensions

A	B	C	D
59"	33"	10 3/8"	57"

Nailing Flange
NA



Certified to conform to ANSI Z124.1 and ASTM E-162 Flame Spread Rating 200 or less and is under a program of factory

Manufactured by Frontline Mfg., Inc. Warsaw, IN



9/12/19