



Diamond Tub & Showers Spec Sheet

Model: TOAWS 604926

Description: Tub Only with Apron and Wainscot & Step

Specifications

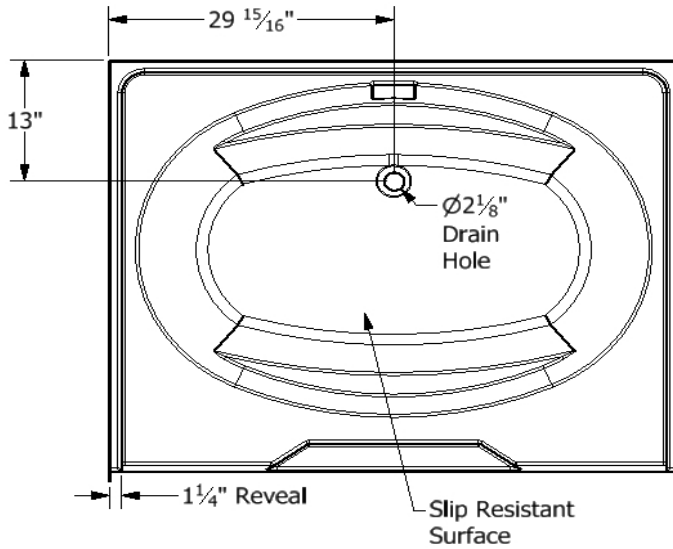
Model #	Material	Wall Finish	Pieces	Drain	Apron Height	Net Weight Lbs.
TOAW 604926	Fiberglass/ Gelcoat	Smooth	1	Center/Back	20 3/4"	

Framing Dimensions

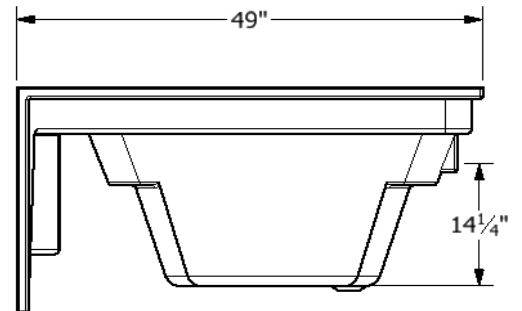
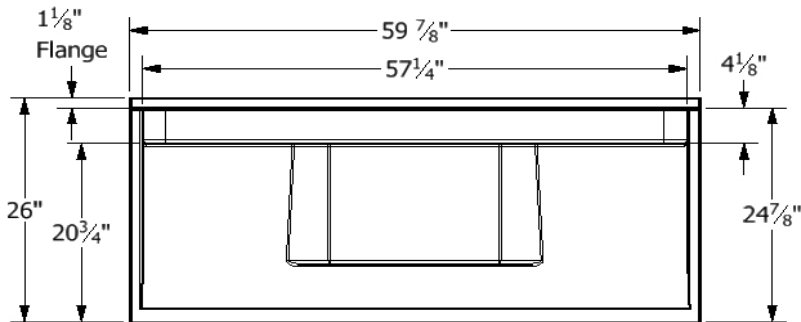
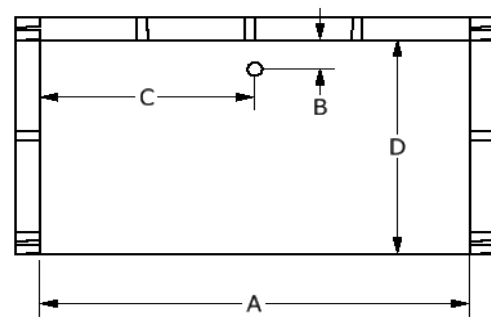
A	B	C	D
59 7/8"	13"	29 15/16"	49"

Sump Data

Top of Drain to Bottom of Overflow	Capacity to Overflow Gallons	Top Dimensions		Bottom Dimensions	
		Length	Width	Length	Width
14 1/4"	64.1	48 1/2"	32 1/4"	40"	21"



Framing Dimensions



This product is tested by ICC-ES and is certified to conform to the requirements of CSA B45.5/IAMPO Z124

Manufactured by Frontline Mfg., Inc. Warsaw, IN



7/22/19