



Diamond Tub & Showers Spec Sheet

Model: TOAW 604326

Description: Tub Only with Apron and Wainscot

Specifications

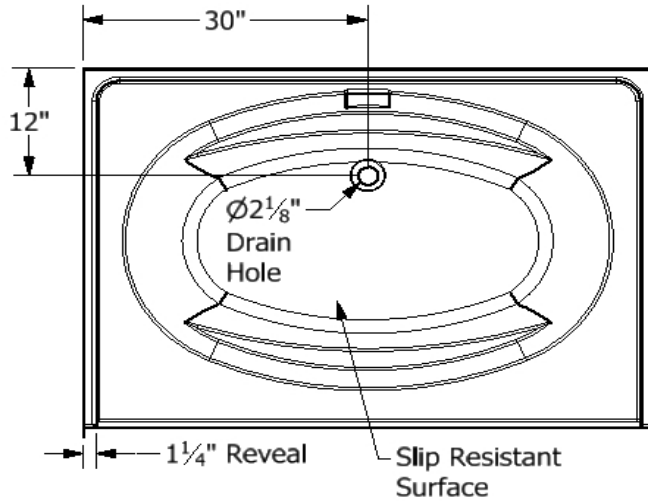
Model #	Material	Wall Finish	Pieces	Drain	Apron Height	Net Weight Lbs.
TOAW 604326	Fiberglass/ Gelcoat	Smooth	1	Center/Back	20 3/4"	

Framing Dimensions

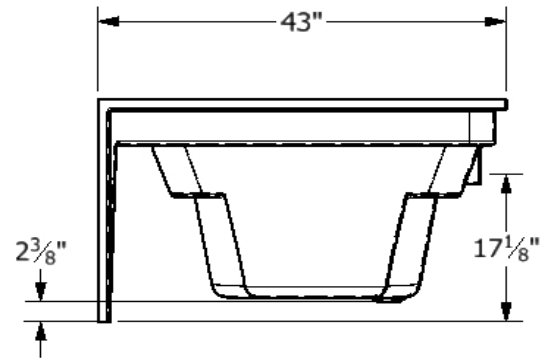
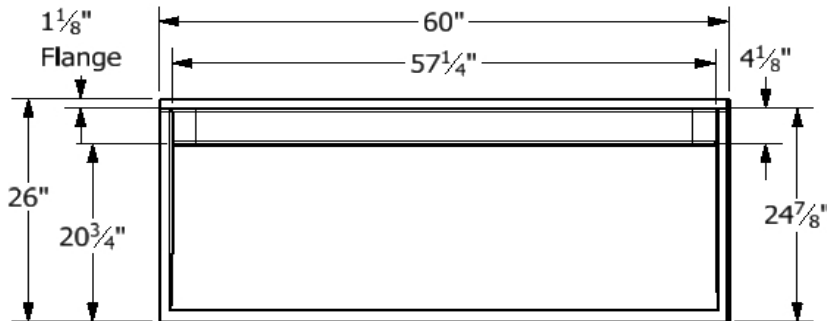
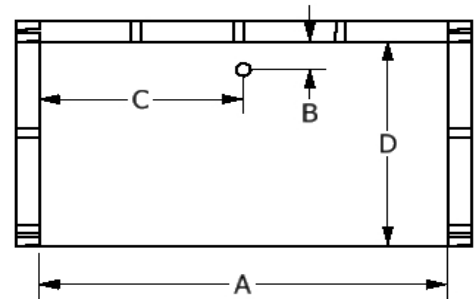
A	B	C	D
60"	12"	30"	43"

Sump Data

Top of Drain to Bottom of Overflow	Capacity to Overflow Gallons	Top Dimensions		Bottom Dimensions	
		Length	Width	Length	Width
17 1/8"	54.0	51"	34 1/2"	39"	21 1/2"



Framing Specifications



This product is tested by ICC-ES and is certified to conform to the requirements of CSA B45.5/IAMPO Z124

Manufactured by Frontline Mfg., Inc. Warsaw, IN



6/5/19