



Diamond Tub & Showers Spec Sheet
Model: TOA 604220 (Left Shown)
Description: Drop in Tub

Specifications

Model #	Material	Wall Finish	Pieces	Drain	Apron Height	Net Weight Lbs.
TOA 604220	Fiberglass/ Gelcoat	Smooth	1	Left/Right Center	NA	

Sump Data

Top of Drain to Bottom of Overflow	Capacity to Overflow Gallons	Top Dimensions		Bottom Dimensions	
		Length	Width	Length	Width
15 5/16"	63.2	53 1/2"	35 1/2"	39 1/4"	26"

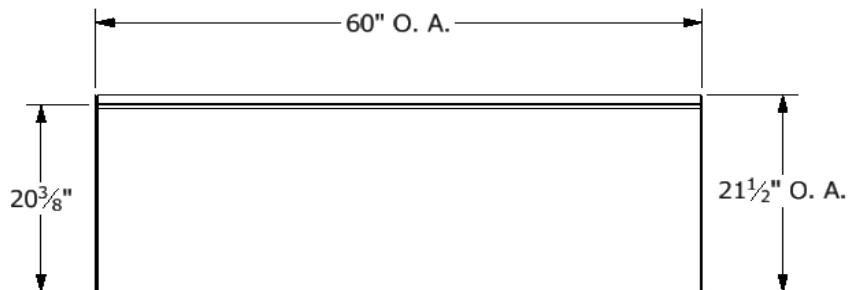
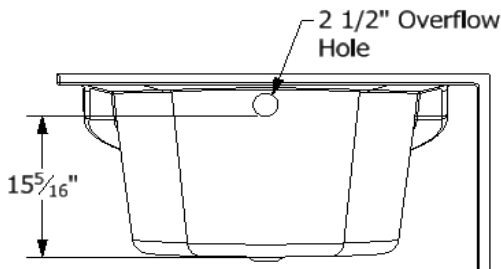
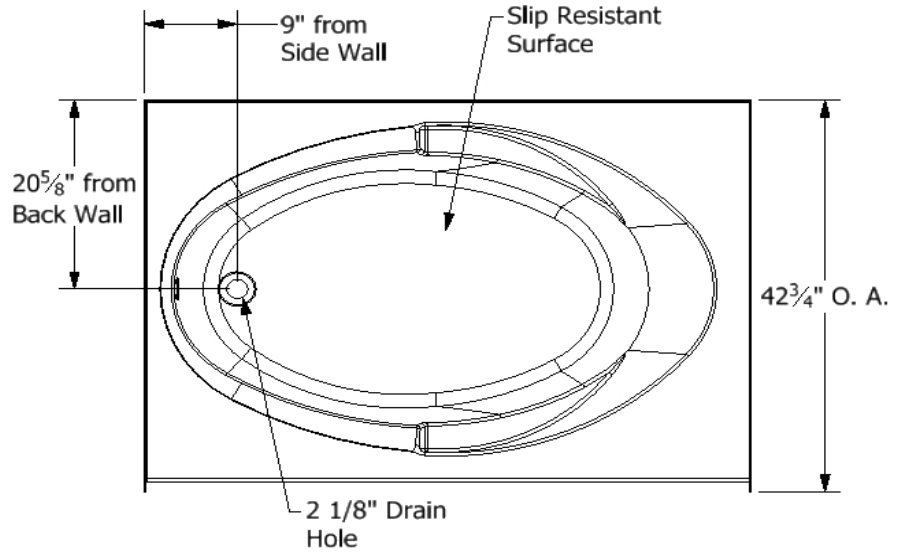
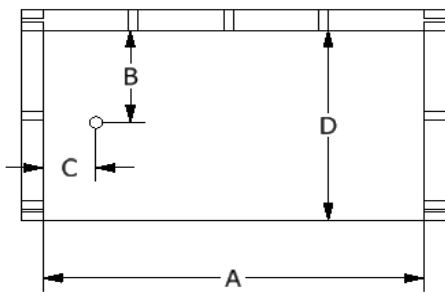
Framing Dimensions

A	B	C	D
60"	20 5/8"	9"	42 3/4"

Enclosure Opening

Length	Width
NA	NA

Framing Specifications



This product is tested by ICC-ES and is certified to conform to the requirements of CSA B45.5/IAMPO Z124

Manufactured by Front Line Mfg., Inc. Warsaw, IN



5/31/19