



Diamond Tub & Showers Spec Sheet

Model: TOA 603017 R/L (Right Shown), TOA 6030XX R/L

Description: Tub Only with Apron

Specifications

Model #	Material	Wall Finish	Pieces	Drain	Apron Height	Net Weight Lbs.
TOA 603017 R/L	Fiberglass/ Gelcoat	Smooth	1	LH/RH	16 1/4"	

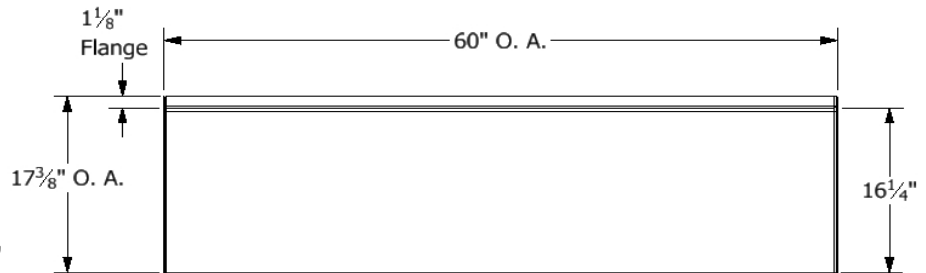
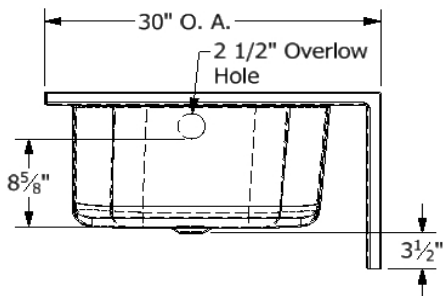
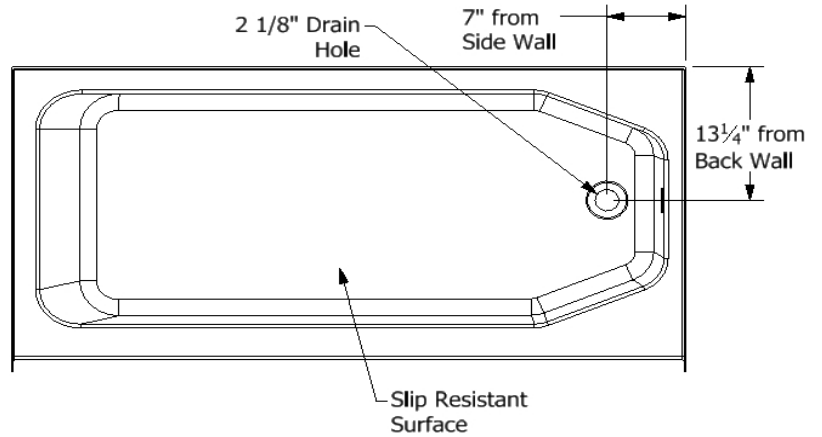
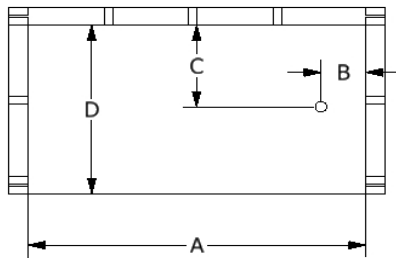
Framing Dimensions

A	B	C	D
60"	7"	13 1/4"	30"

Sump Data

Top of Drain to Bottom of Overflow	Capacity to Overflow Gallons	Top Dimensions		Bottom Dimensions	
		Length	Width	Length	Width
8 5/8"	38.7	55 3/4"	22 3/4"	51 1/4"	22"

Framing Specifications



This product is tested by ICC-ES and is certified to conform to the requirements of CSA B45.5/IAMPO Z124 standard.

Manufactured by Frontline Mfg., Inc. Warsaw, IN
 PMG 5/31/19