



Diamond Tub & Showers Spec Sheet

Model: TO2 663821

Description: 2 Piece Free Standing Tub

Specifications

Model #	Material	Wall Finish	Pieces	Drain	Total Height	Net Weight Lbs.
TO2 663821	Fiberglass/ Gelcoat	Smooth	2	Back Center	21"	

Sump Data

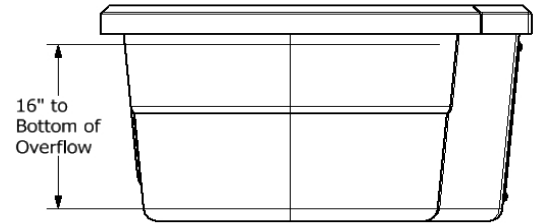
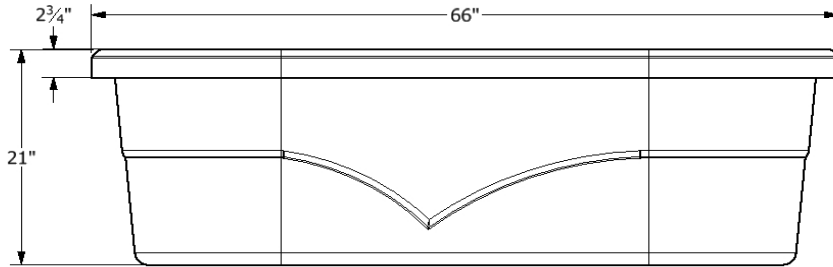
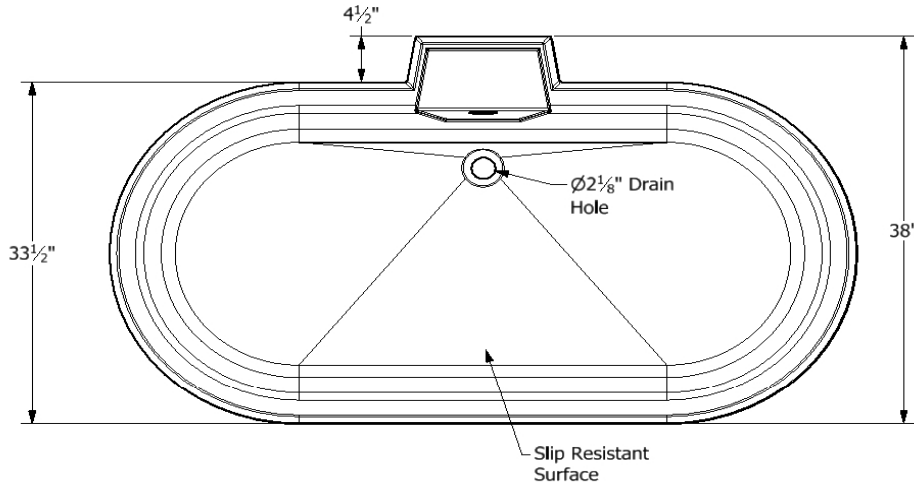
Top of Drain to Bottom of Overflow	Capacity to Overflow Gallons	Top Dimensions		Bottom Dimensions	
		Length	Width	Length	Width
16"	92.0	59 7/8"	27 3/8"	56 3/4"	24 1/4"

Framing Dimensions

A	B	C	D
NA	NA	NA	NA

Enclosure Opening

Length	Width
NA	NA



This product is tested by ICC-ES and is certified to conform to the requirements of CSA B45.5/IAMPO Z124

Manufactured by Front Line Mfg., Inc. Warsaw, IN



5/31/19