



Diamond Tub & Showers Spec Sheet

Model: TO 723619

Description: Drop in Tub

Specifications

Model #	Material	Wall Finish	Pieces	Drain	Apron Height	Net Weight Lbs.
TO 723619	Fiberglass/ Gelcoat	Smooth	1	C	NA	

Sump Data

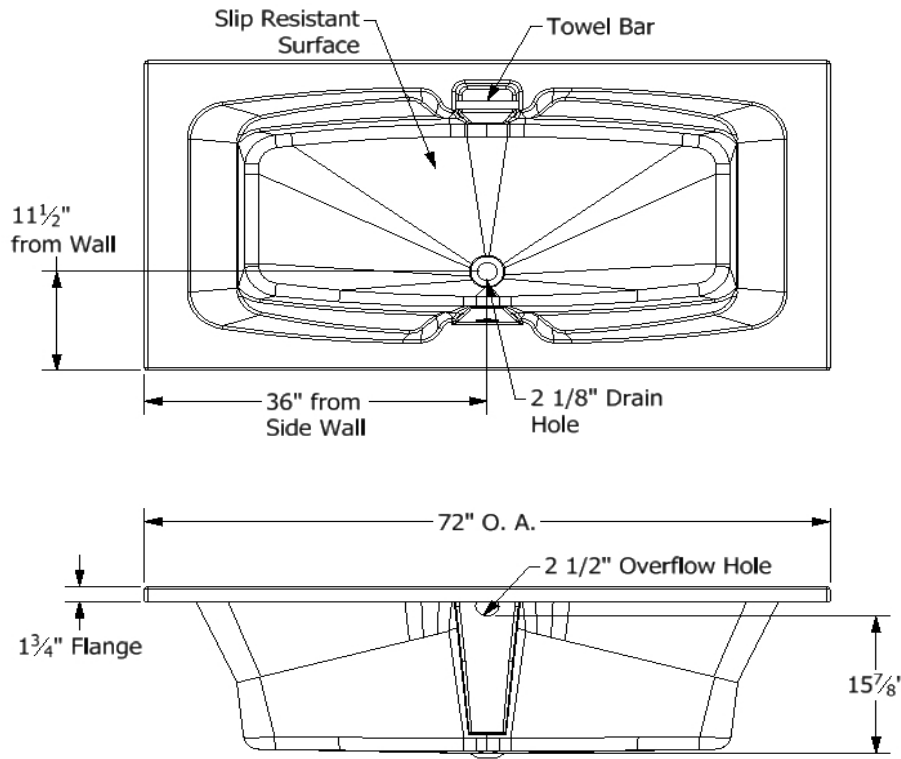
Top of Drain to Bottom of Overflow	Capacity to Overflow Gallons	Top Dimensions		Bottom Dimensions	
		Length	Width	Length	Width
15 7/8"	79.1	62 1/4"	28 7/8"	50 7/8"	22 1/2"

Framing Dimensions

A	B	C	D
NA	NA	NA	NA

Enclosure Opening

Length	Width
NA	NA



Note:
Drop in Tubs are designed to hang from the deck. No bottom support is needed.

This product is tested by ICC-ES and is certified to conform to the requirements of CSA B45.5/IAMPO Z124

Manufactured by Front Line Mfg., Inc. Warsaw, IN



5/30/19