



# Diamond Tub & Showers Spec Sheet

Model: TO 603620

Description: Drop in Tub

## Specifications

Model #	Material	Wall Finish	Pieces	Drain	Apron Height	Net Weight Lbs.
TO 603620	Fiberglass/ Gelcoat	Smooth	1	LH/RH	NA	

## Sump Data

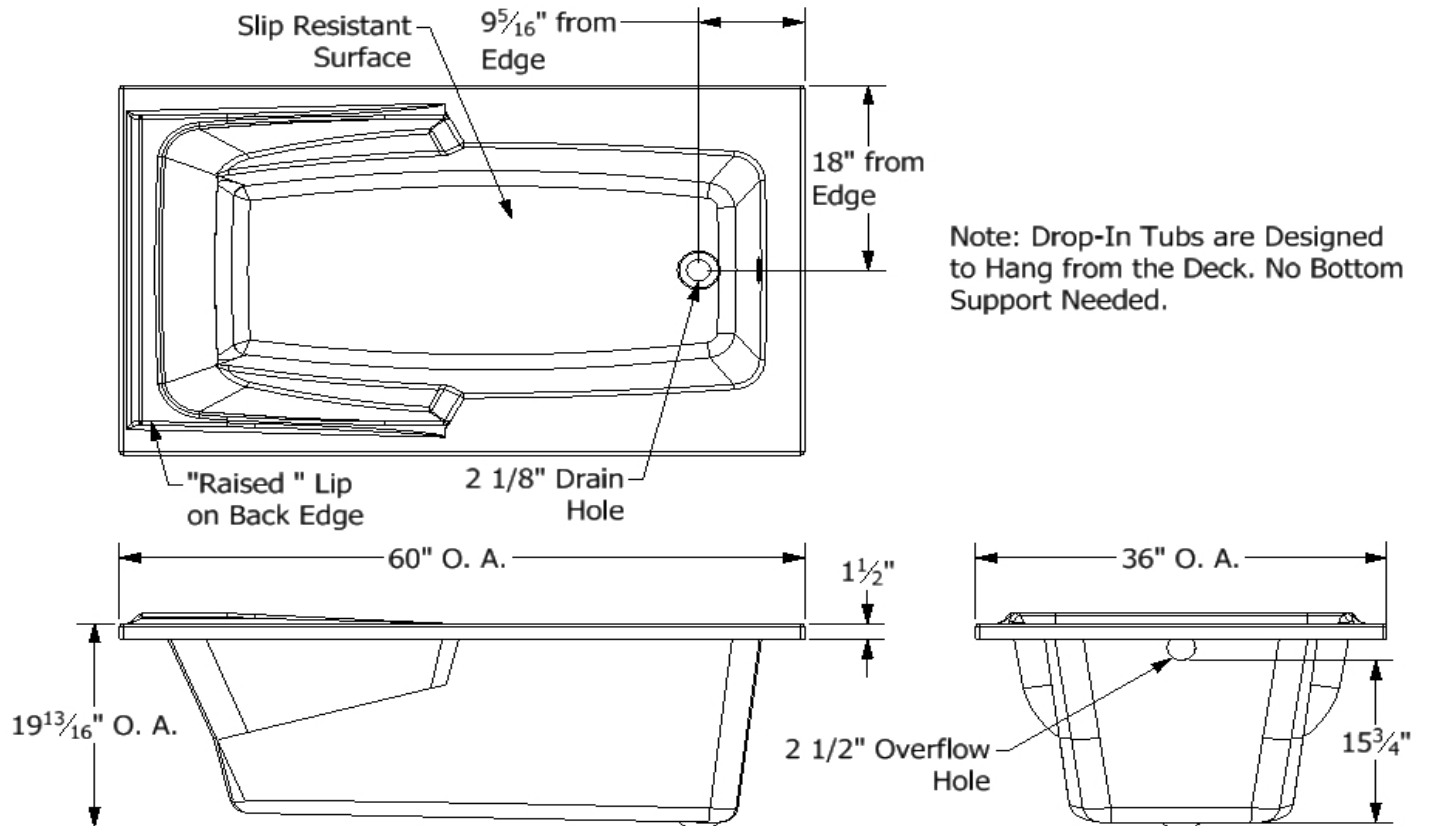
Top of Drain to Bottom of Overflow	Capacity to Overflow Gallons	Top Dimensions		Bottom Dimensions	
		Length	Width	Length	Width
15 3/4"	62.9	55"	24 1/2"	41"	18"

## Framing Dimensions

A	B	C	D
NA	NA	NA	NA

## Enclosure Opening

Length	Width
NA	NA



This product is tested by ICC-ES and is certified to conform to the requirements of CSA B45.5/IAMPO Z124

Manufactured by Front Line Mfg., Inc. Warsaw, IN  
 5/30/19