

**Centennial Tub & Showers Spec Sheet**

**Model: TC 603375 R/L (TC 60337R Right Shown)**

**Description: Centennial One Piece Tub/Shower Combo**

**Specifications**

Model #	Material	Wall Finish	Pieces	Drain	Apron Height	Net Weight Lbs.
TC 603375 R/L	Fiberglass/Gelcoat	Smooth	1	LH/RH	15"	

**Sump Data**

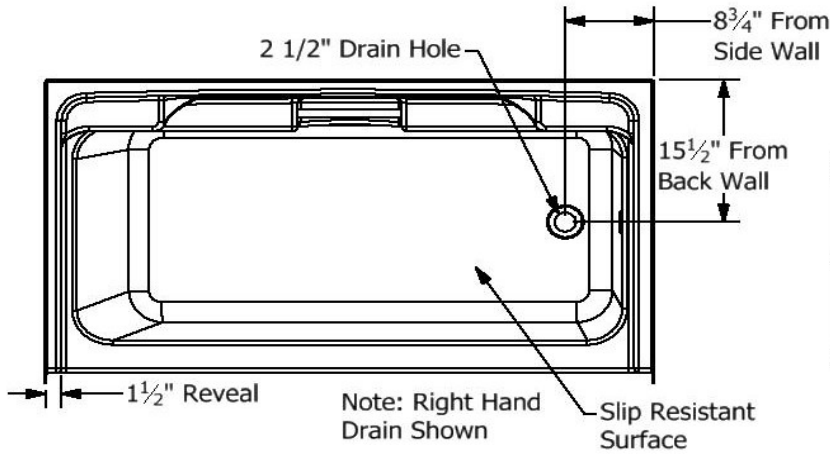
Top of Drain to Bottom of Overflow	Capacity to Overflow Gallons	Top Dimensions		Bottom Dimensions	
		Length	Width	Length	Width
13 3/8"	44.0	54 1/4"	23 1/4"	45"	20 1/2"

**Framing Dimensions**

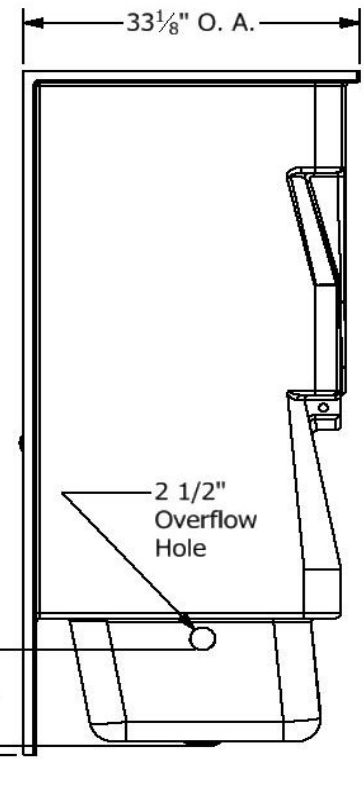
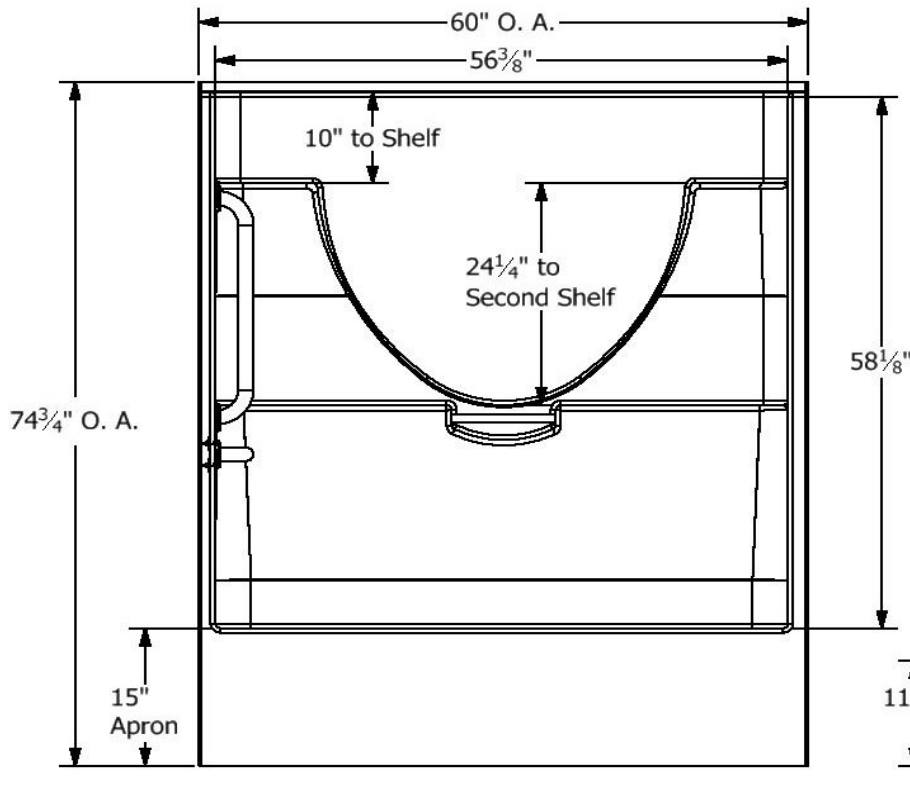
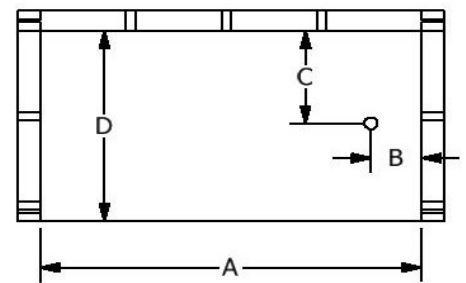
A	B	C	D
60 1/8"	8 3/4"	15 1/2"	33 1/8"

**Enclosure Opening**

Width	Height
56 3/8"	58 1/8"



**Framing Specifications**



Certified to conform to HUD/UM73b, ANSI Z124.1, and ASTM E-162 Flame Spread Rating 200 or less and is under a program of factory inspection.

Manufactured by Frontline Mfg., Inc. Warsaw, IN



1/29/21



## Centennial Tub & Showers Spec Sheet

Model: TC 603377 R/L (TC 60337R Right Shown)

Description: Centennial One Piece Tub/Shower Combo

### Specifications

Model #	Material	Wall Finish	Pieces	Drain	Apron Height	Net Weight Lbs.
TC 603377 R/L	Fiberglass/Gelcoat	Smooth	1	LH/RH	15"	

### Sump Data

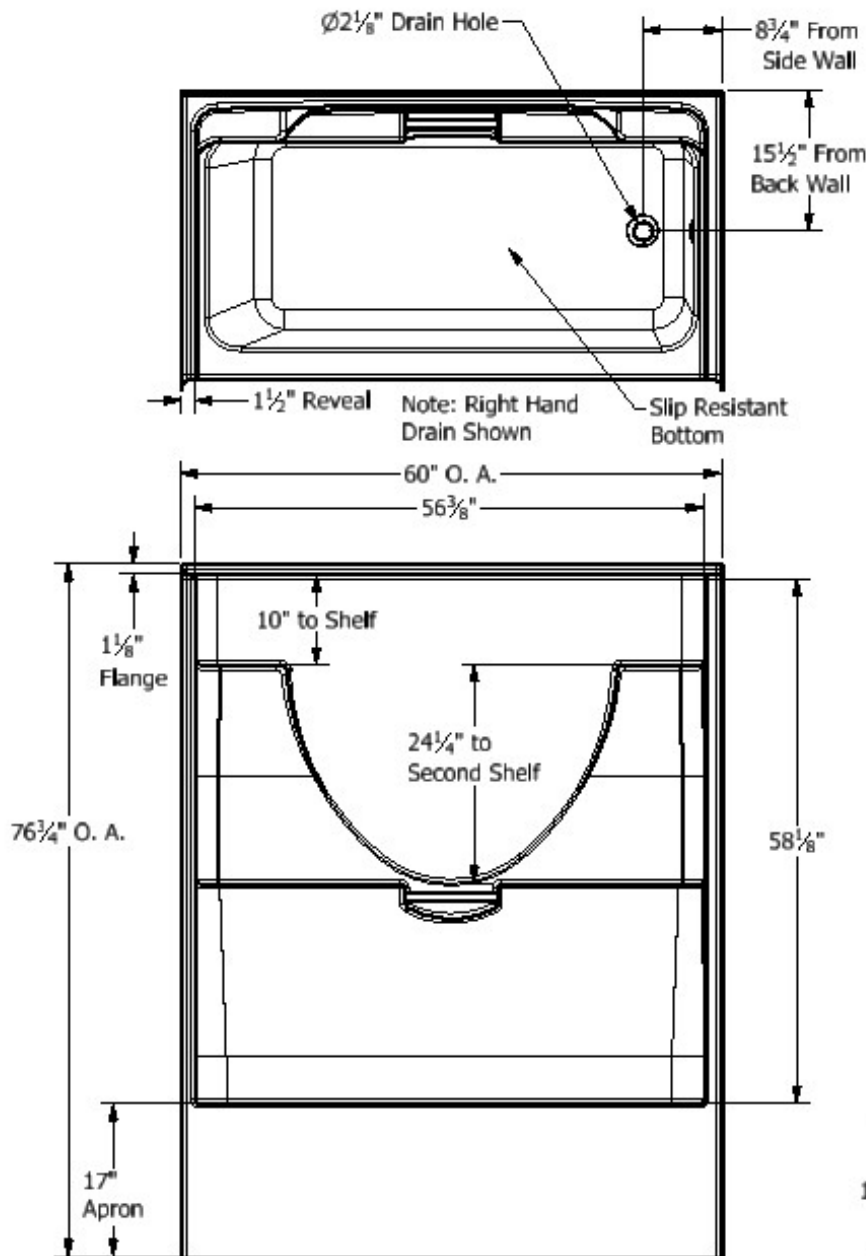
Top of Drain to Bottom of Overflow	Capacity to Overflow Gallons	Top Dimensions		Bottom Dimensions	
		Length	Width	Length	Width
13 3/8"	44.0	54 1/4"	23 1/4"	45"	20 1/2"

### Framing Dimensions

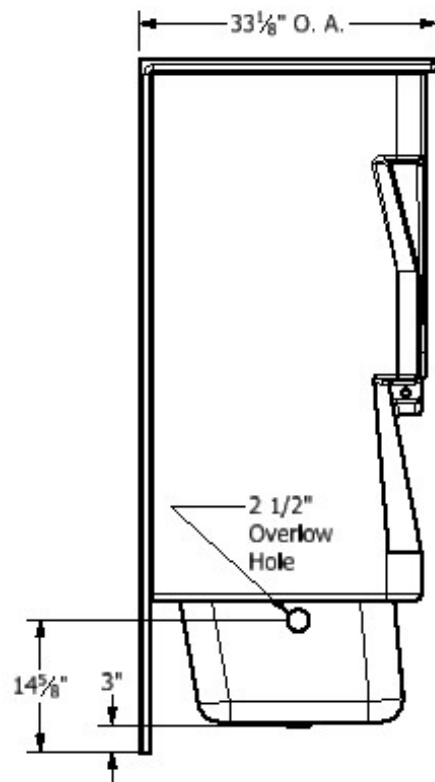
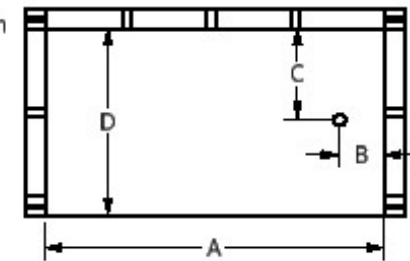
A	B	C	D
60 1/8"	8 3/4"	15 1/2"	33 1/8"

### Enclosure Opening

Width	Height
56 3/8"	58 1/8"



### Framing Specifications



Certified to conform to HUD/UM73b, ANSI Z124.1, and ASTM E-162 Flame Spread Rating 200 or less and is under

Manufactured by Frontline Mfg., Inc. Warsaw, IN

