



Diamond Tub & Showers Spec Sheet

Model: TC 603076 R/L (Left Drain Shown)

Description: Tub/Shower Combo 1 Piece Unit

Specifications

Model #	Material	Wall Finish	Pieces	Drain	Apron Height	Net Weight Lbs.
TC 603076 R/L	Fiberglass/ Gelcoat	Smooth	1	LH/RH	19"	

Sump Data

Top of Drain to Bottom of Overflow	Capacity to Overflow Gallons	Top Dimensions		Bottom Dimensions	
		Length	Width	Length	Width
11 3/8"	47.0	53 1/4"	22 1/4"	45 1/4"	21"

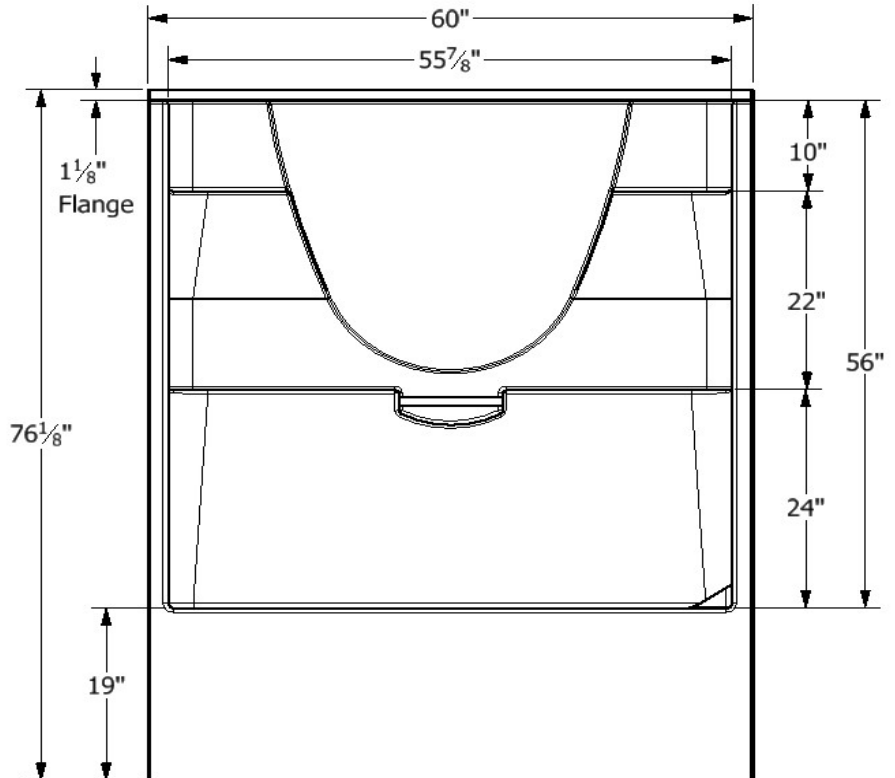
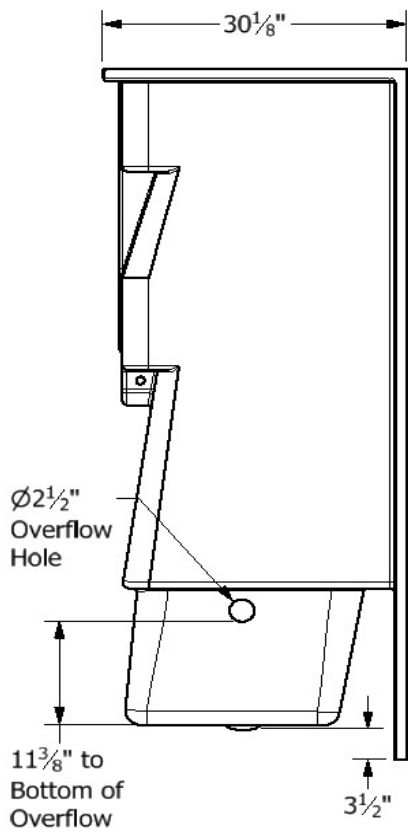
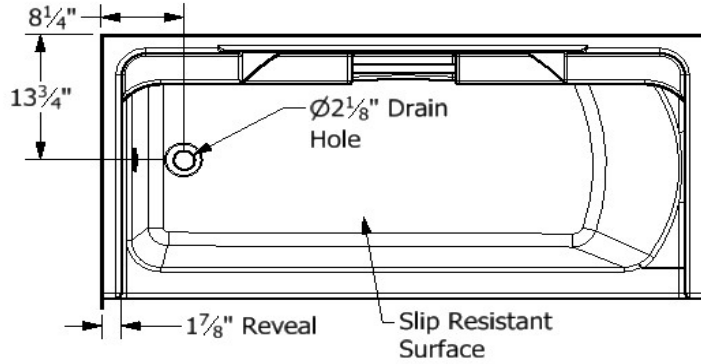
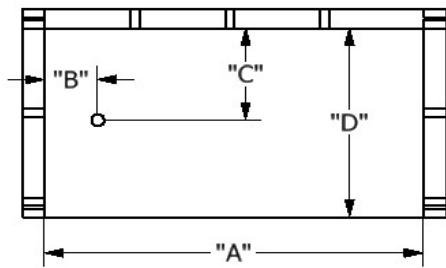
Framing Dimensions

A	B	C	D
60"	8 1/4"	13 3/4"	30 1/8"

Enclosure Opening

Width	Height
55 7/8"	56"

Framing Specifications



Certified to conform to HUD/UM73b, ANSI Z124.1, and ASTM E-162 Flame Spread Rating 200 or less and is under a program of factory inspection.

Manufactured by Frontline Mfg., Inc. Warsaw, IN



1/29/21



Diamond Tub & Showers Spec Sheet

Model: TC 603074 R/L (Left Drain Shown)

Description: Tub/Shower Combo 1 Piece Unit

Specifications

Model #	Material	Wall Finish	Pieces	Drain	Apron Height	Net Weight Lbs.
TC 603074 R/L	Fiberglass/Gelcoat	Smooth	1	LH/RH	19"	

Sump Data

Top of Drain to Bottom of Overflow	Capacity to Overflow Gallons	Top Dimensions		Bottom Dimensions	
		Length	Width	Length	Width
11 3/8"	47.0	53 1/4"	22 1/4"	45 1/4"	21"

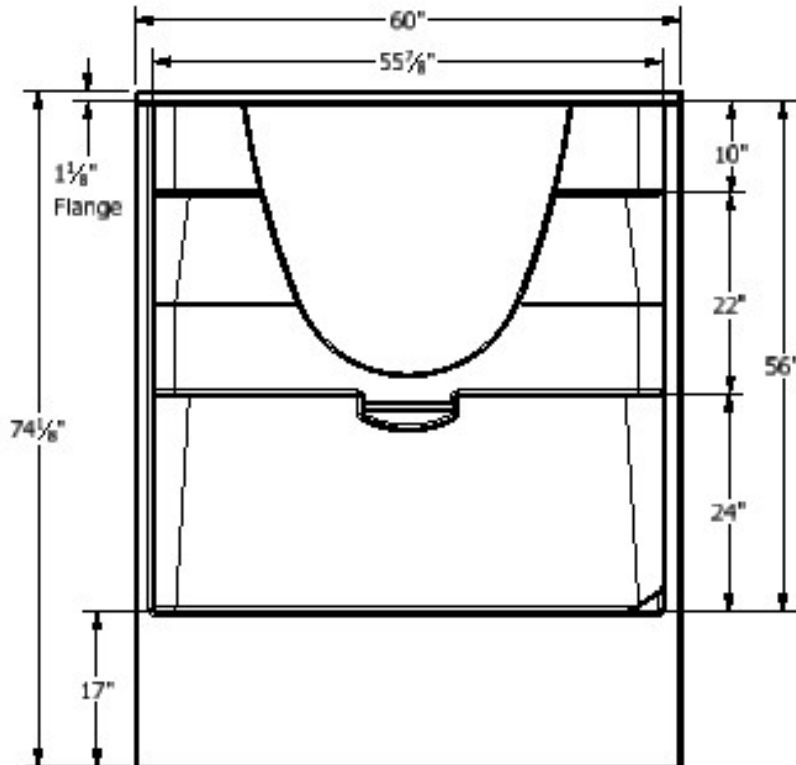
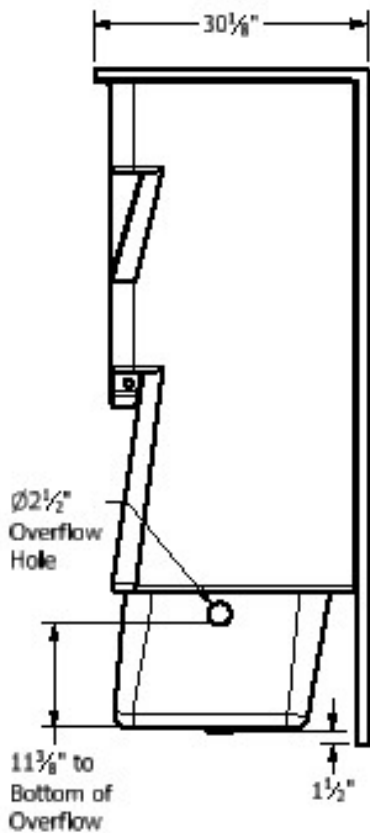
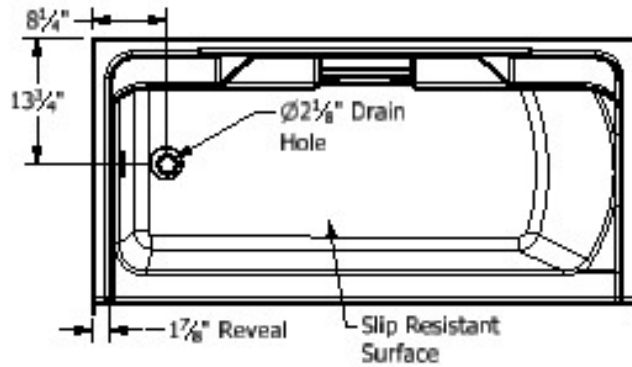
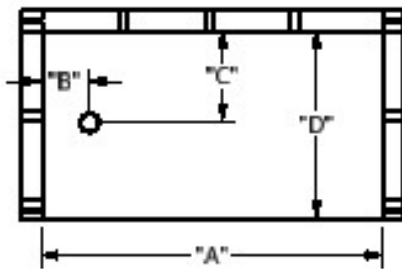
Framing Dimensions

A	B	C	D
60"	8 1/4"	13 3/4"	30 1/8"

Enclosure Opening

Width	Height
55 7/8"	56"

Framing Specifications



Certified to conform to HUD/UM73b, ANSI Z124.1, and ASTM E-162 Flame Spread Rating 200 or less and is under a program of factory inspection.

Manufactured by Frontline Mfg., Inc. Warsaw, IN



1/29/21