



Diamond Tub & Showers Spec Sheet

Model: T 723779 R/L

Description: Tub/Shower Combo 1 Piece Unit

Specifications

Model #	Material	Wall Finish	Pieces	Drain	Apron Height	Net Weight Lbs.
T 723779 R/L	Fiberglass/ Gelcoat	Smooth	1	LH/RH	17"	

Sump Data

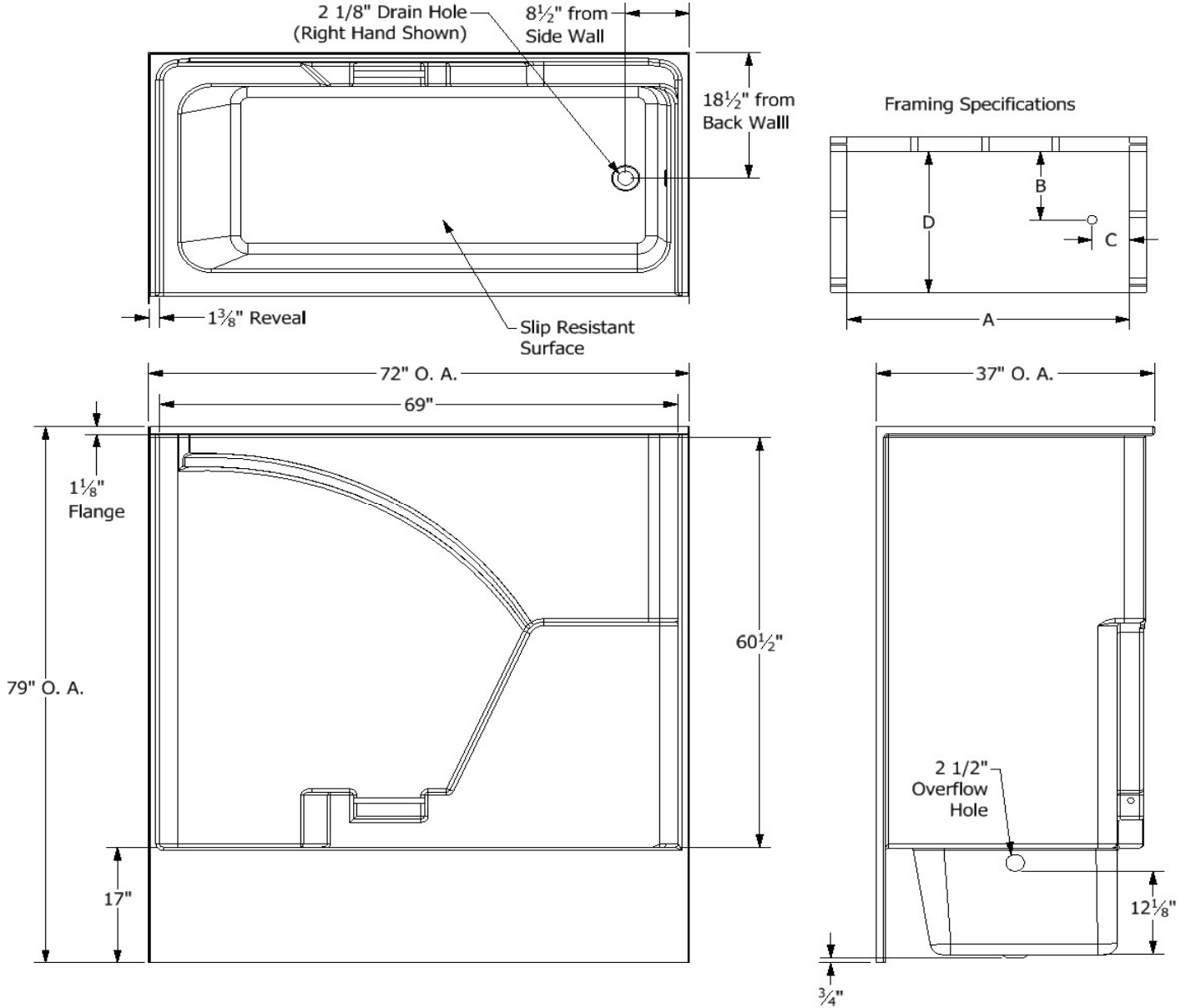
Top of Drain to Bottom of Overflow	Capacity to Overflow Gallons	Top Dimensions		Bottom Dimensions	
		Length	Width	Length	Width
12 1/8"	74.9	64 1/2"	27 1/2"	53 3/4"	21 1/2"

Framing Dimensions

A	B	C	D
72"	18 1/2"	8 1/2"	37"

Enclosure Opening

Width	Height
69"	60 1/2"

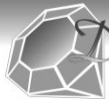


Certified to conform to HUD/UM73b, ANSI Z124.1, and ASTM E-162 Flame Spread Rating 200 or less and is under a program of factory inspection.

Manufactured by Front Line Mfg., Inc. Warsaw, IN



5/31/19



Diamond TUB & SHOWERS
www.diamondtubshowers.com where design and durability meet

Diamond Tub & Showers Spec Sheet

Model: T 723781 R/L (Right Shown)

Description: Tub/Shower Combo 1 Piece Unit

Specifications

Model #	Material	Wall Finish	Pieces	Drain	Apron Height	Net Weight Lbs.
T 723781 R/L	Fiberglass/ Gelcoat	Smooth	1	LH/RH	19"	

Sump Data

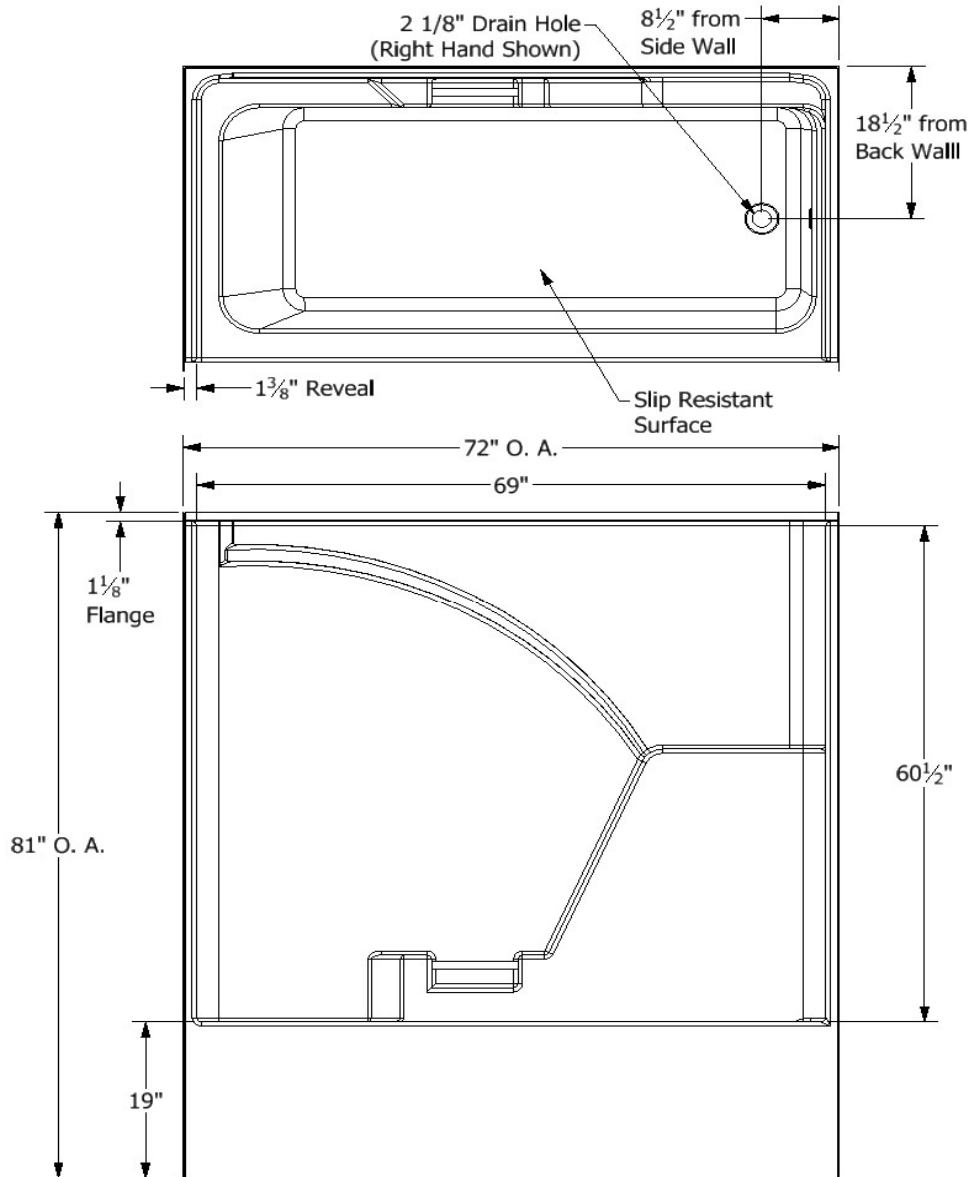
Top of Drain to Bottom of Overflow	Capacity to Overflow Gallons	Top Dimensions		Bottom Dimensions	
		Length	Width	Length	Width
12 1/8"	74.9	64 1/2"	27 1/2"	53 3/4"	21 1/2"

Framing Dimensions

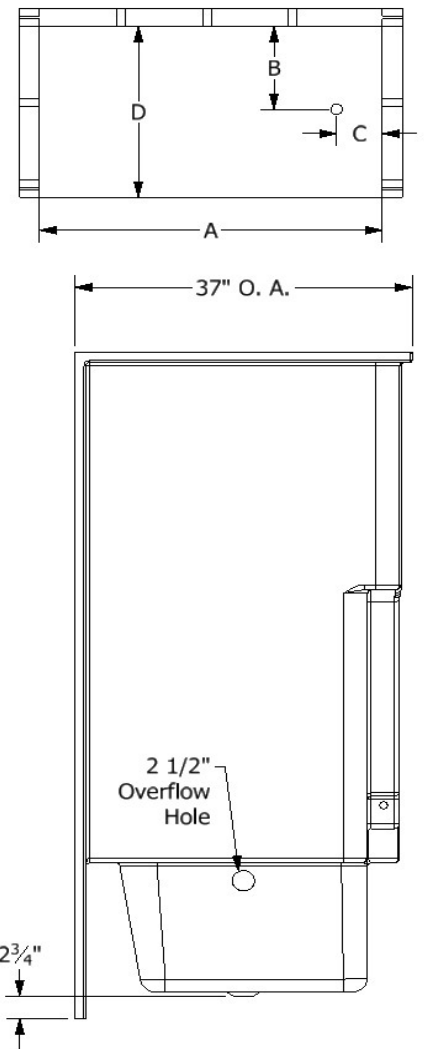
A	B	C	D
72"	18 1/2"	8 1/2"	37"

Enclosure Opening

Width	Height
69"	60 1/2"



Framing Specifications



Certified to conform to ANSI Z124.1 and ASTM E- 162 Flame Spread Rating 200 or less and is under a program of factory inspection.

Manufactured by Front Line Mfg., Inc. Warsaw, IN
 5/31/19