



Diamond Tub & Showers Spec Sheet

Model: SST 603779

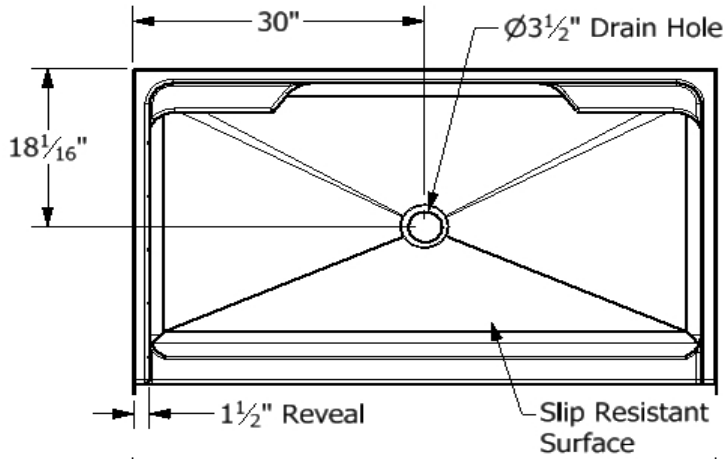
Description: One Piece Subway Tile Shower Unit

Specifications

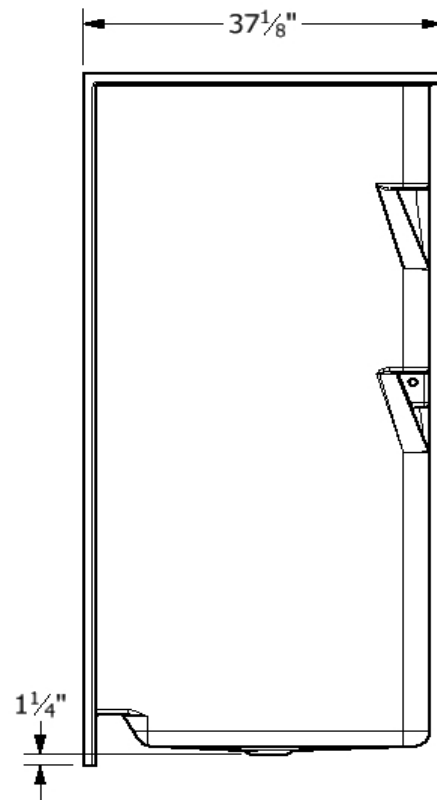
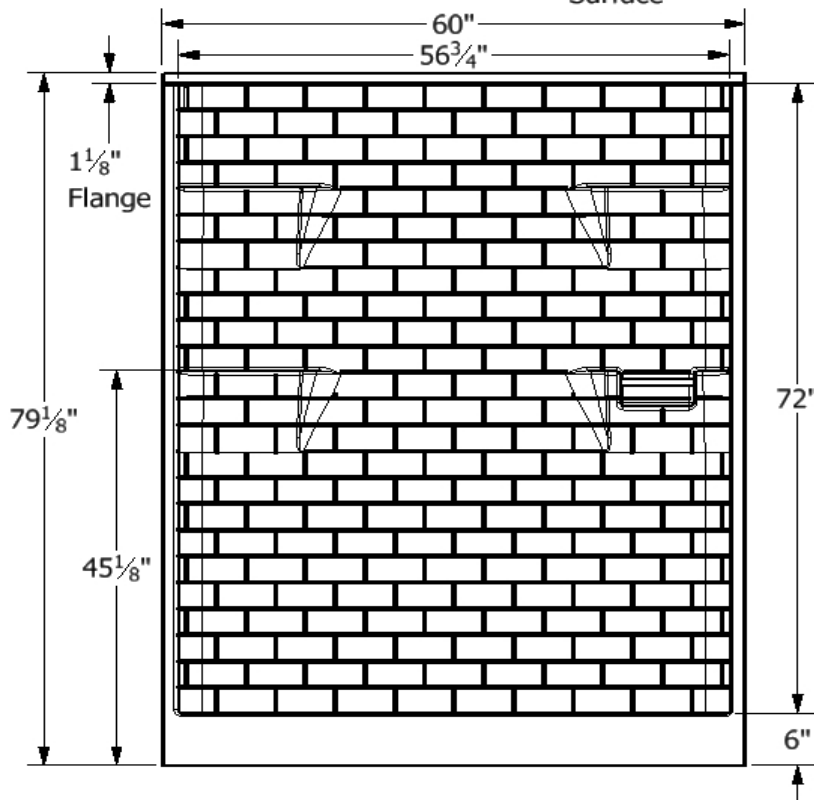
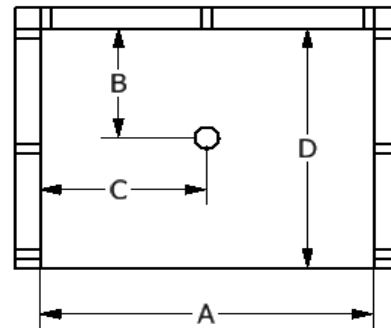
Model #	Material	Wall Finish	Pieces	Drain	Threshold Height	Net Weight Lbs.
SST 603779	Fiberglass/ Gelcoat	Subway Tile	1	C	6"	
Enclosure Opening						
Width		Height				
56 3/4"		72"				

Framing Dimensions

A	B	C	D
60"	18 1/16"	30"	37 1/8"



Framing Specifications



This product is tested by ICC-ES and is certified to conform to the requirements of CSA B45.5/IAMPO Z124 standard.

Manufactured by Frontline Mfg., Inc. Warsaw, IN

 5/31/19