



# Diamond Tub & Showers Spec Sheet

Model: SRS 723779

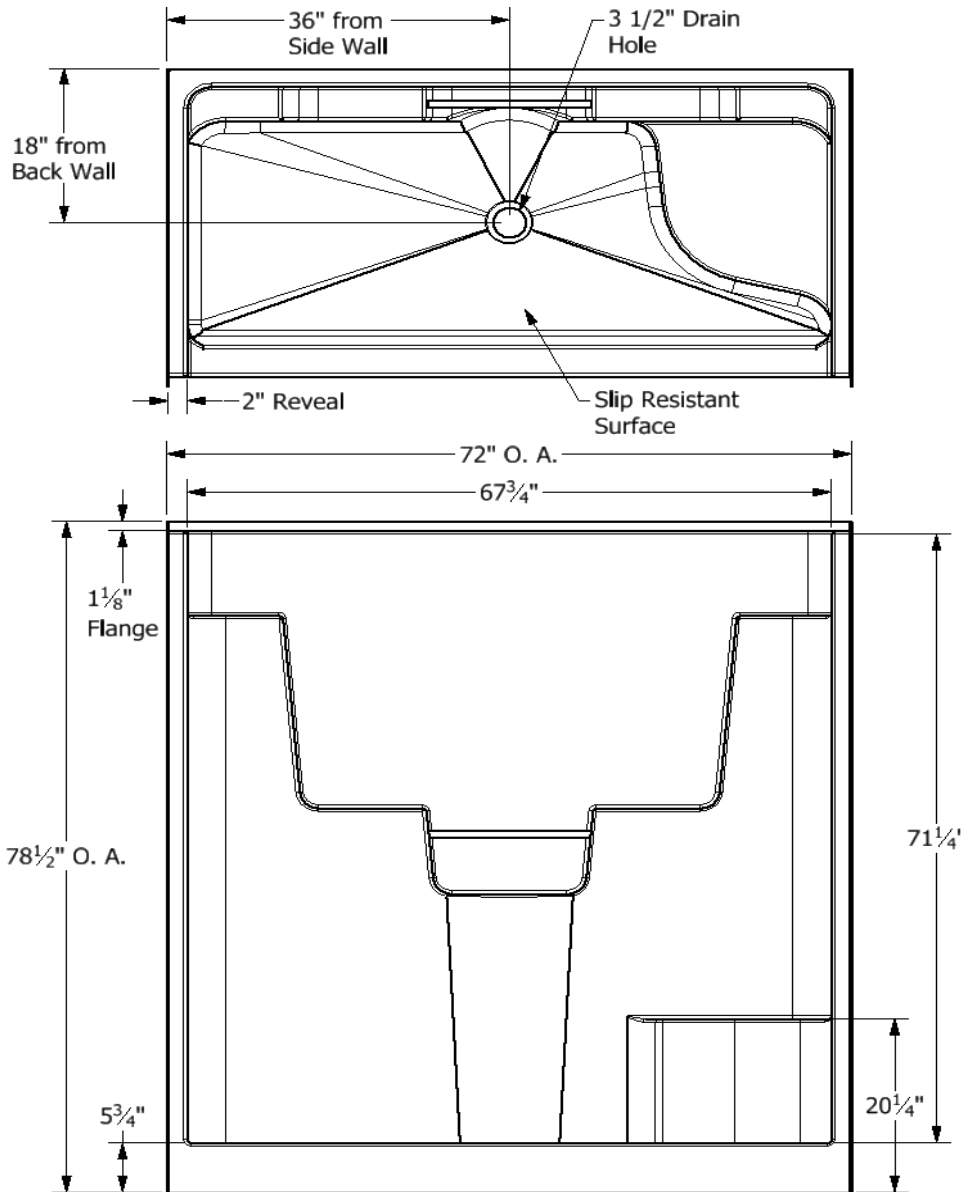
Description: One Piece Shower Unit with Right Seat

## Specifications

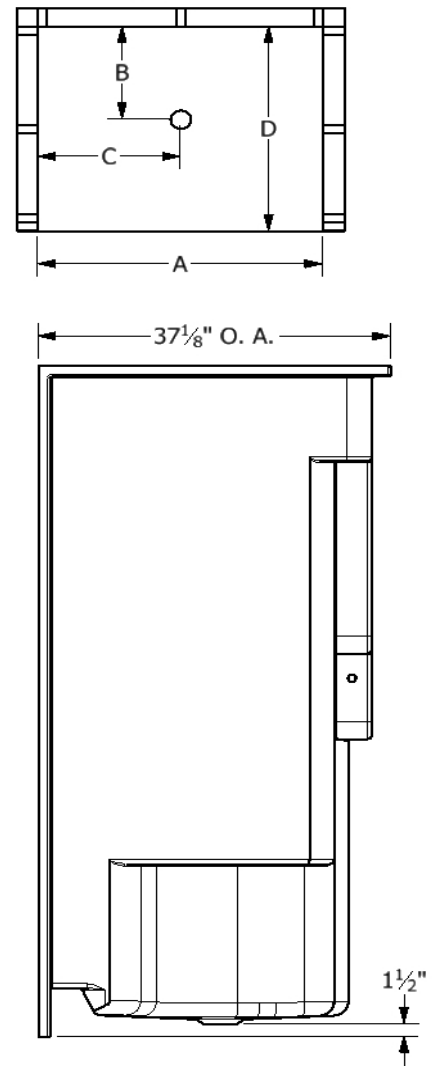
Model #	Material	Wall Finish	Pieces	Drain	Threshold Height	Net Weight Lbs.
SRS 723779	Fiberglass/Gelcoat	Smooth	1	C	5 3/4"	
Enclosure Opening						
Width		Height				
67 3/4"		71 1/4"				

## Framing Dimensions

A	B	C	D
72"	48"	36"	37 1/8"



## Framing Specifications



This product is tested by ICC-ES and is certified to conform to the requirements of CSA B45.5/IAMPO Z124 standard.

Manufactured by Frontline Mfg., Inc. Warsaw, IN  
 ICC-ES PMG 5/31/19