



Diamond Tub & Showers Spec Sheet

Model: SNS 542873

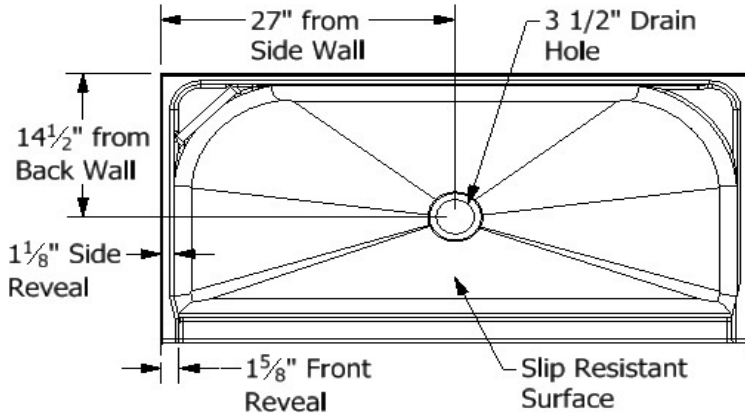
Description: One Piece Shower Unit with No Seat

Specifications

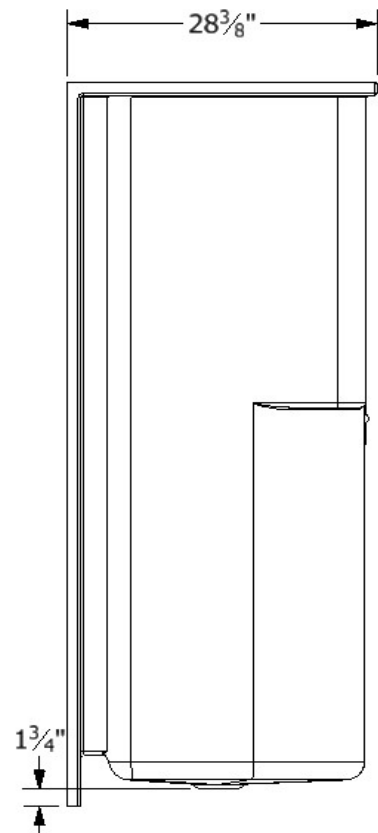
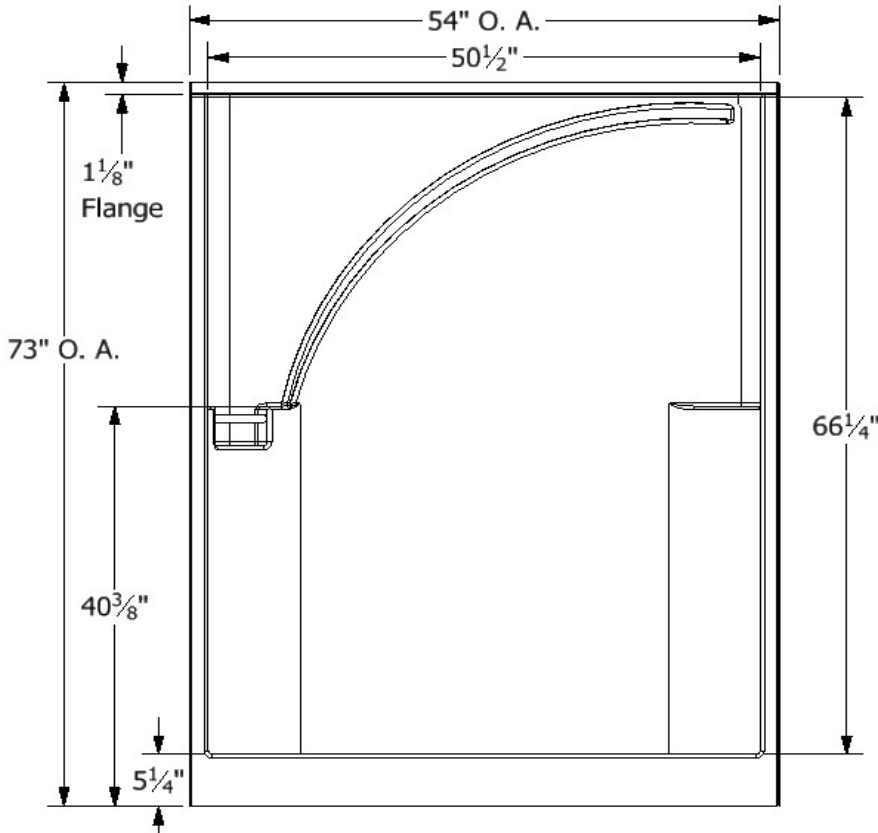
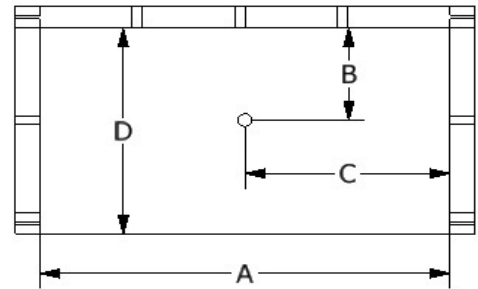
Model #	Material	Wall Finish	Pieces	Drain	Threshold Height	Net Weight Lbs.
SNS 542873	Fiberglass/Gelcoat	Smooth	1	C	5 1/4"	
Enclosure Opening						
Width		Height				
50 1/2"		66 1/4"				

Framing Dimensions

A	B	C	D
54"	14 1/2"	27"	28 3/8"



Framing Specifications

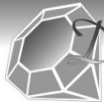


Certified to conform to ANSI Z124.1 and ASTM E-162 Flame Spread Rating 200 or less and is under a program of factory inspection.

Manufactured by Frontline Mfg., Inc. Warsaw, IN



5/31/19



Diamond TUB & SHOWERS
www.diamondtubshowers.com where design and durability meet

Diamond Tub & Showers Spec Sheet

Model: **SNS 542878**

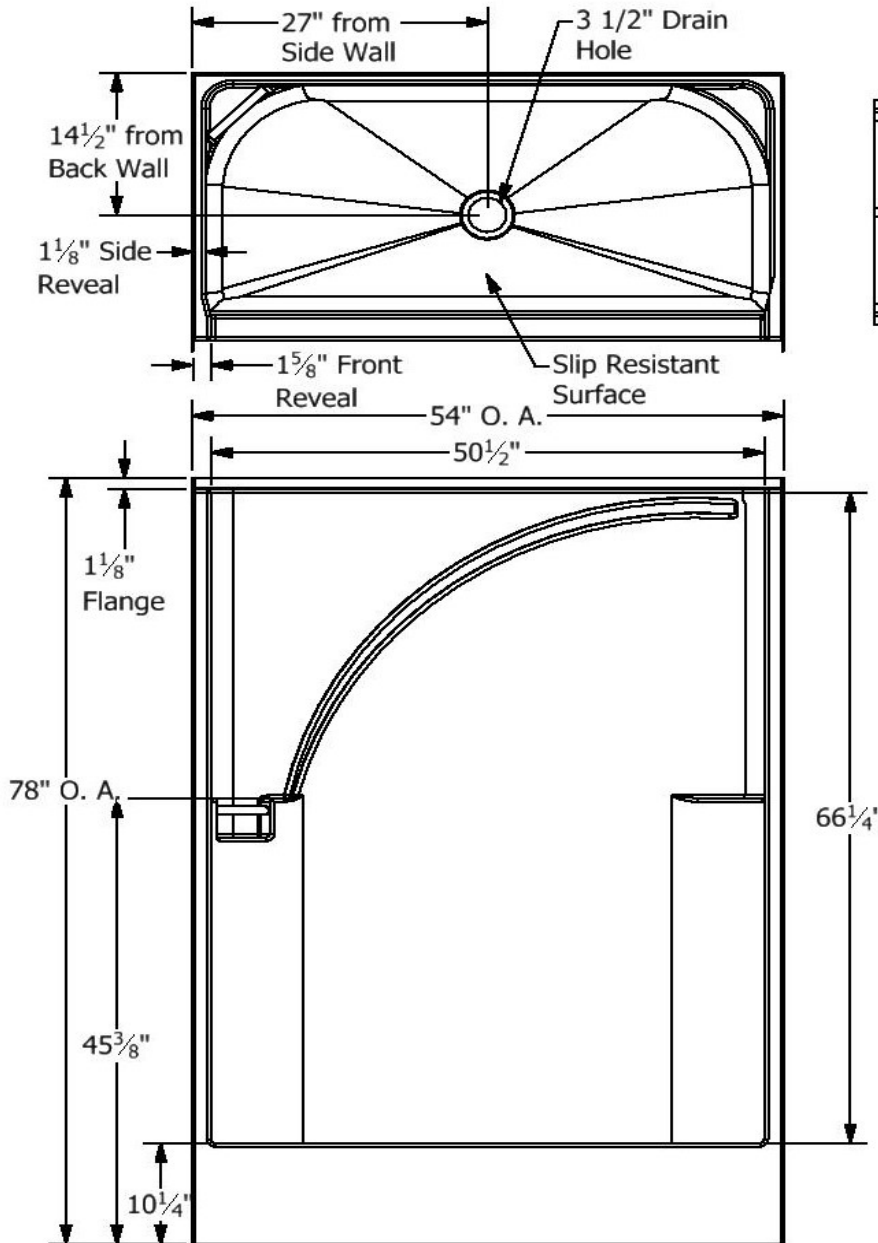
Description: **One**

Specifications

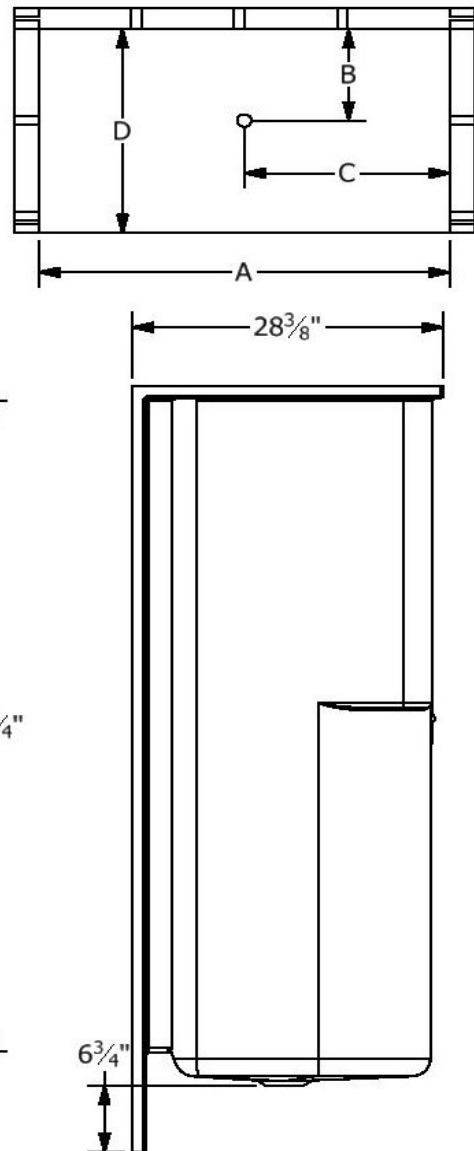
Model #	Material	Wall Finish	Pieces	Drain	Threshold Height	Net Weight Lbs.
SNS 542878	Fiberglass/Gelcoat	Smooth	1	C	10 1/4"	
Enclosure Opening						
Width	Height					
50 1/2"	66 1/4"					

Framing Dimensions

A	B	C	D
54"	14 1/2"	27"	28 3/8"



Framing Specifications



Certified to conform to ANSI Z124.1 and ASTM E- 162 Flame Spread Rating 200 or less and is under a program of factory inspection.

Manufactured by Frontline Mfg., Inc. Warsaw, IN



5/31/19