



Diamond Tub & Showers Spec Sheet

Model: SNA 3774 (SNA 34XX)

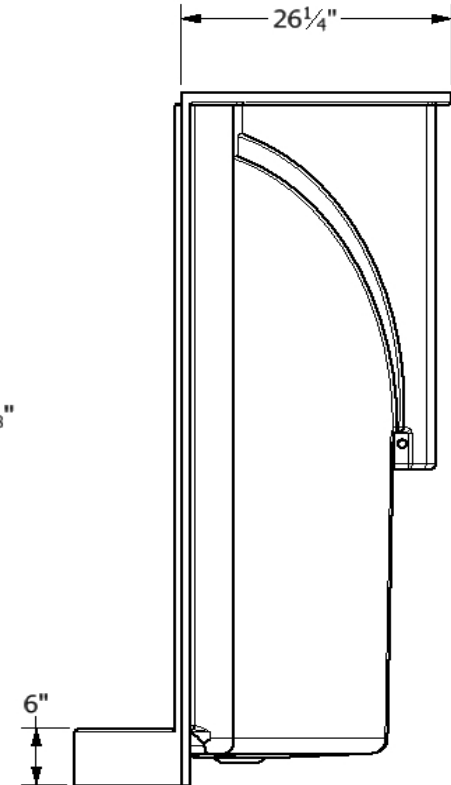
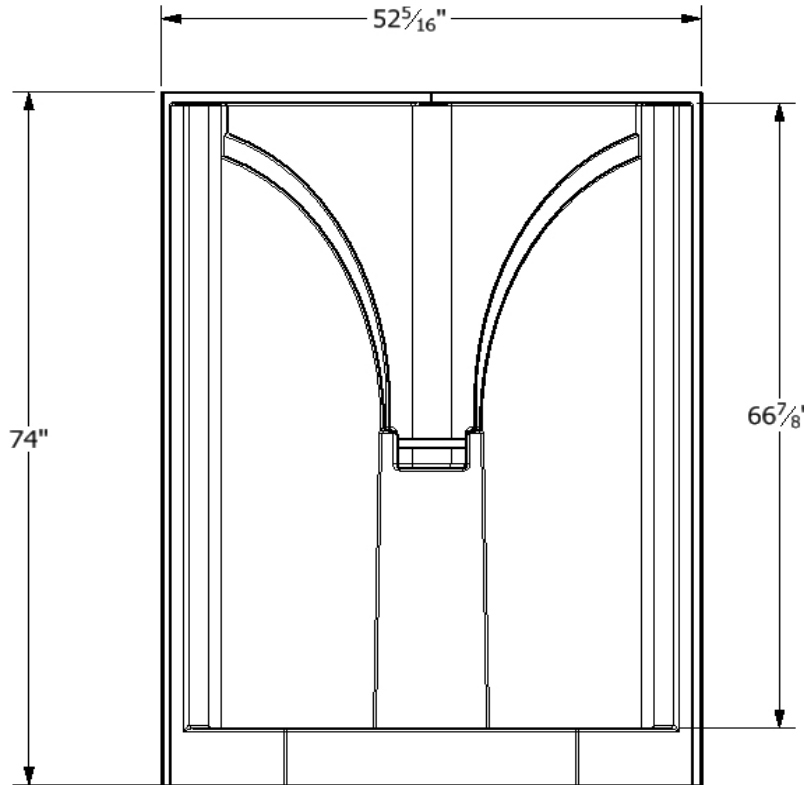
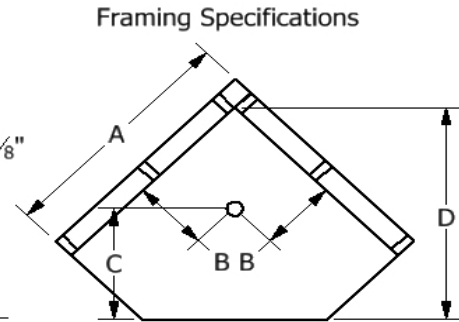
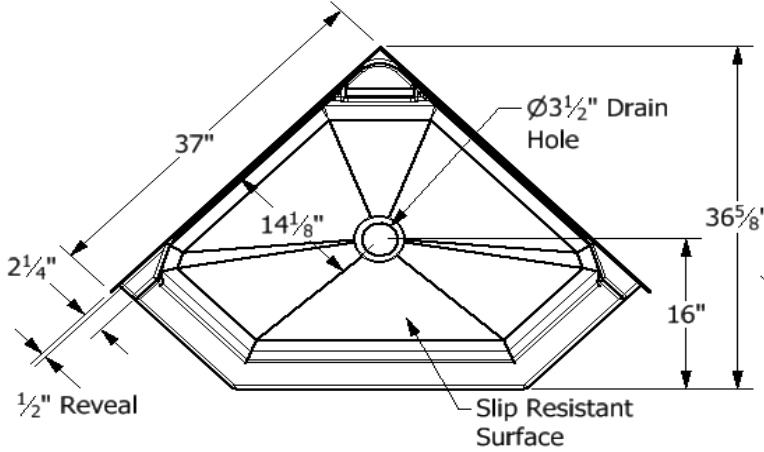
Description: Neo Angle One Piece Shower Unit

Specifications

Model #	Material	Wall Finish	Pieces	Drain	Threshold Height	Net Weight Lbs.
SNA 3774	Fiberglass/Gelcoat	Smooth	1	C	6"	
Door Size						
Side	Front	Side	Height			
12 7/8"	26 7/8"	12 7/8"	66 7/8"			

Framing Dimensions

A	B	C	D
37"	14 1/8"	16"	36 5/8"



This product is tested by ICC-ES and is certified to conform to the requirements of CSA B45.5/IAMPO Z124 standard.

Manufactured by Frontline Mfg., Inc. Warsaw, IN



6/5/19