



Diamond Tub & Showers Spec Sheet

Model: SNA 3273 (SNA 32XX)

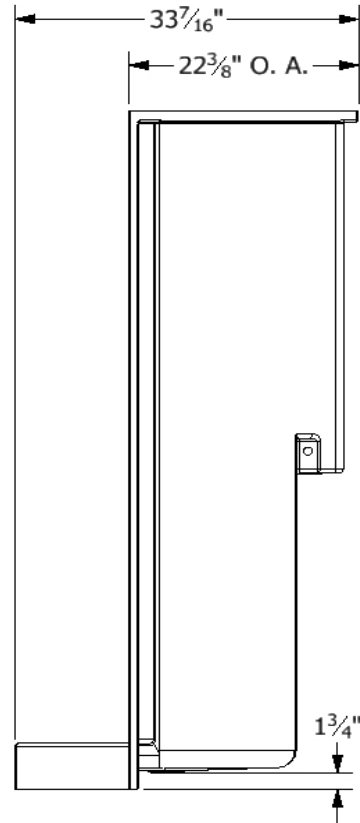
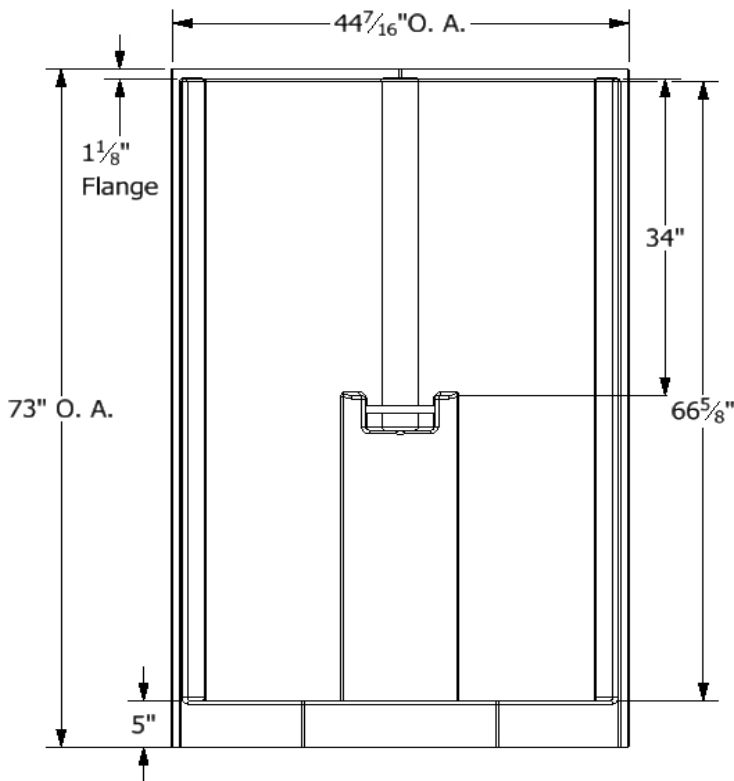
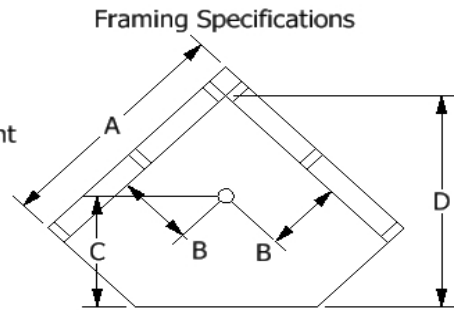
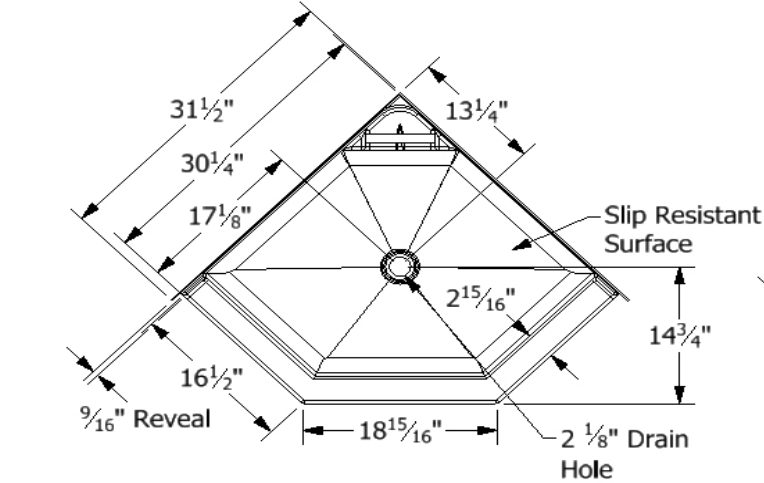
Description: Neo Angle One Piece Shower Unit

Specifications

Model #	Material	Wall Finish	Pieces	Drain	Threshold Height	Net Weight Lbs.
SNA 3273	Fiberglass/Gelcoat	Smooth	1	C	5"	
Door Size						
Side	Front	Side	Height			
15 3/8"	18"	15 3/8"	66 5/8"			

Framing Dimensions

A	B	C	D
31 1/2"	13 1/4"	14 3/4"	33 7/16"



This product is tested by ICC-ES and is certified to conform to the requirements of CSA B45.5/IAMPO Z124 standard.

Manufactured by Frontline Mfg., Inc. Warsaw, IN



5/31/19