



Diamond Tub & Showers Spec Sheet

Model: SLB/SRB 603779 (STLB/STRB 6037XX) (Left Shown)

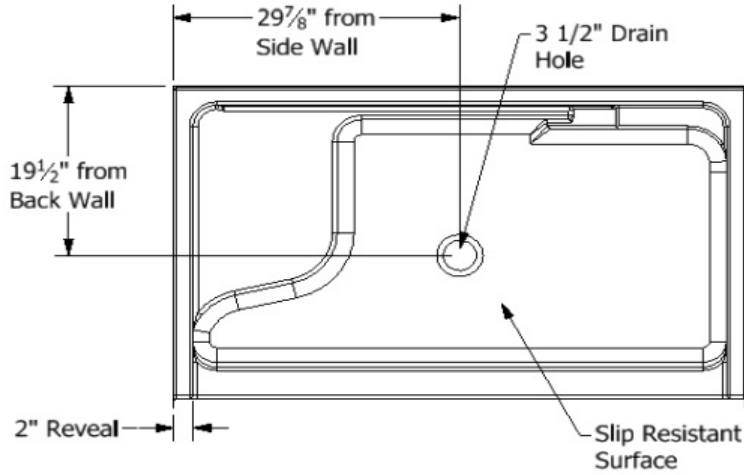
Description: One Piece Shower Unit

Specifications

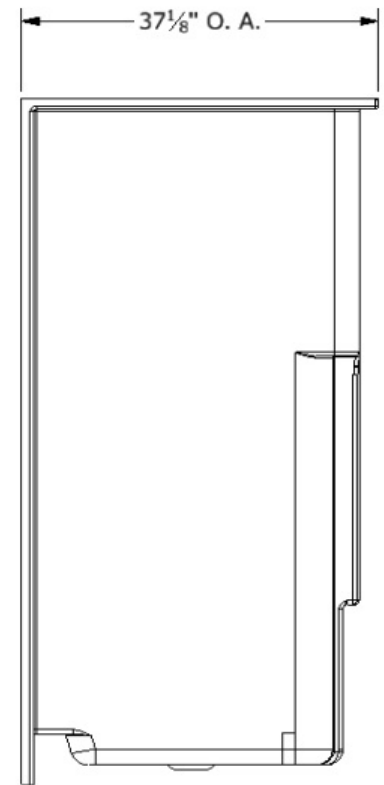
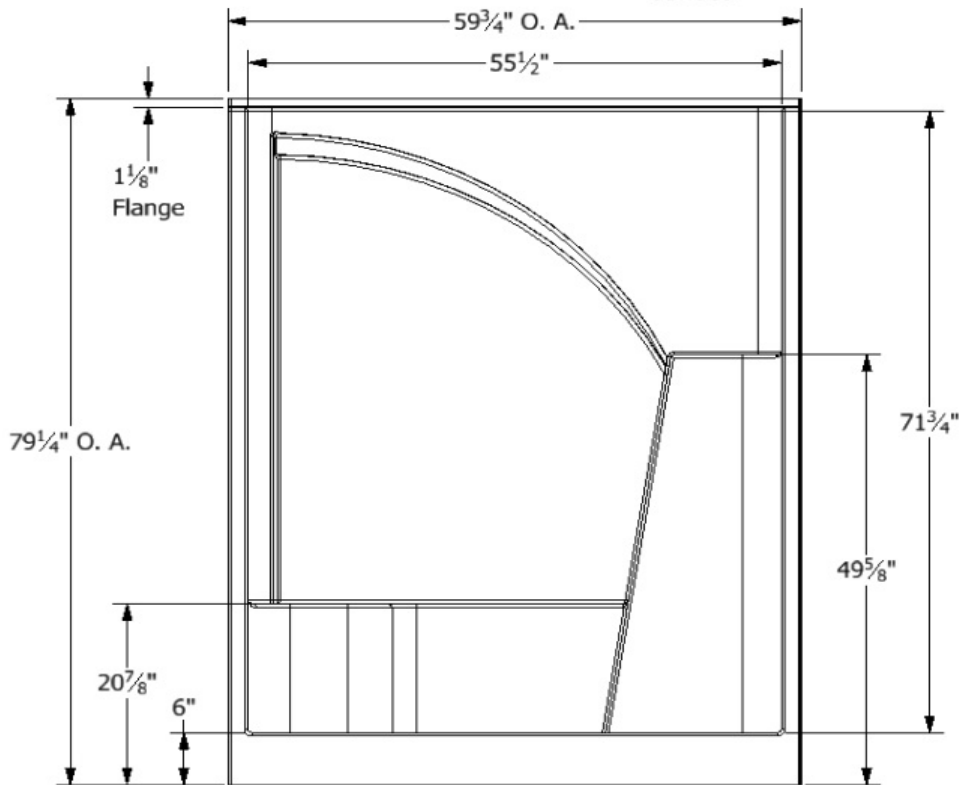
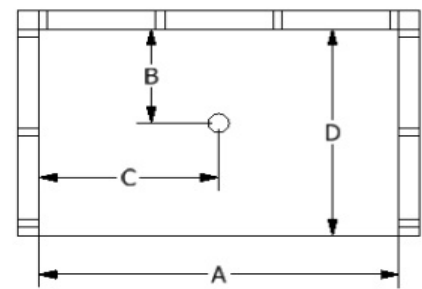
Model #	Material	Wall Finish	Pieces	Drain	Threshold Height	Net Weight Lbs.
SLB 603779	Fiberglass/Gelcoat	Smooth	1	C	6"	
Enclosure Opening						
Width		Height				
55 1/2"		71 3/4"				

Framing Dimensions

A	B	C	D
59 3/4"	19 1/2"	29 7/8"	37 1/8"



Framing Specifications



This product is tested by ICC-ES and is certified to conform to the requirements of CSA B45.5/IAMPO Z124 standard.

Manufactured by Frontline Mfg., Inc. Warsaw, IN

ICC
ES
PMG

5/31/19