



# Diamond Tub & Showers Submittal Sheet

**Model: SHR4 643778**

**Description: Four Piece Remodeler Shower Unit with L-Bar & Fold Down Seat (Right Seat Shown)**

Date: \_\_\_\_\_

Customer/Job Name: \_\_\_\_\_

Approved By \_\_\_\_\_

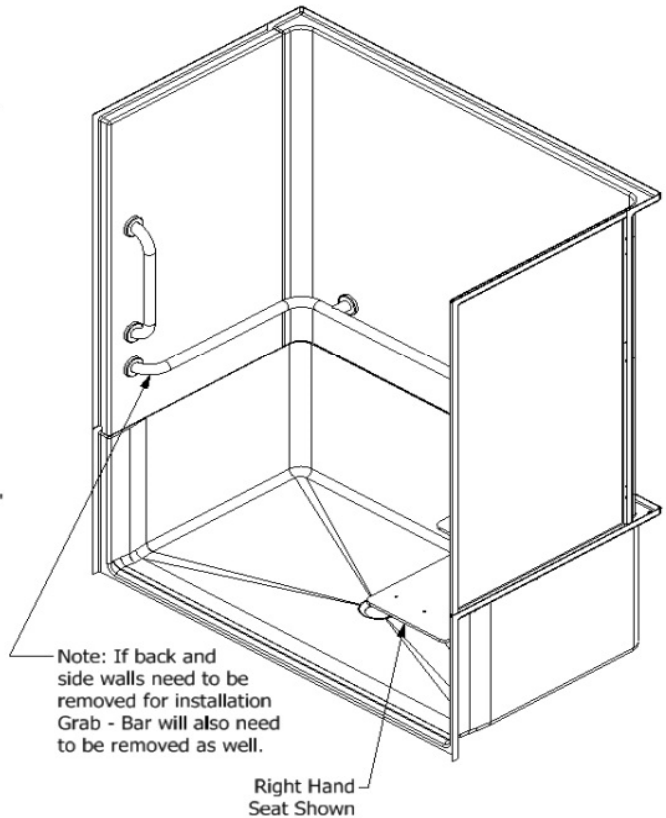
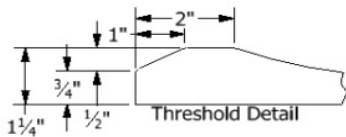
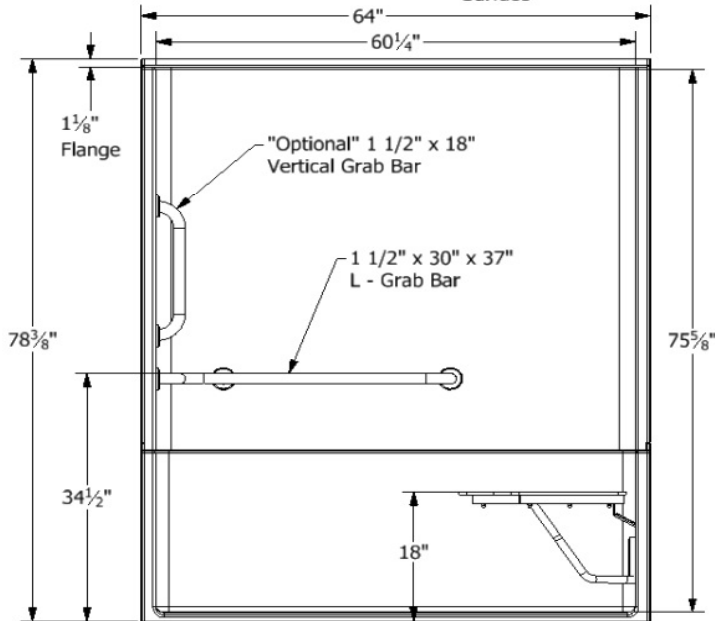
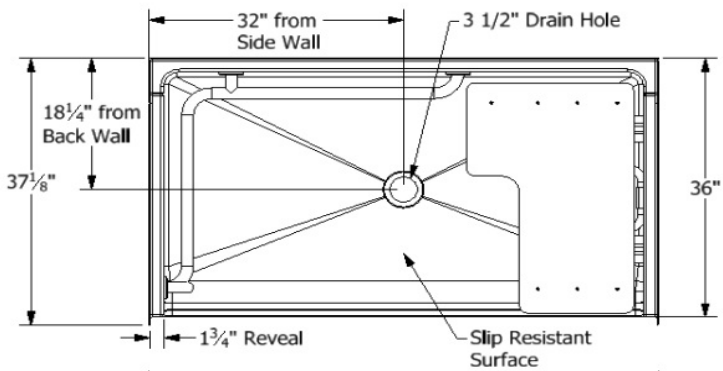
Date \_\_\_\_\_

ADA Compliant when installed according to ADA & Diamond guidelines.

External Dimensions	64"W x 37 1/8"D x 78 3/8"H
Internal Dimensions	60 1/4"W x 35 7/8"D x 77 1/4"H
Enclosure Opening	NA
Packaged Weight	Lbs
Material	Fiberglass/Gelcoat
Warranty	6 Years

**Accessories & Options:**

- Fold Down Seat
- 1 1/2" x 30" x 37" L-Bar
- 1 1/2" x 18" Vertical Grab Bar
- SS Curtain Rod
- Shower Curtain with Hooks



This product is tested by ICC-ES and is certified to conform to the requirements of CSA B45.5/IAMPO Z124 standard.

Manufactured by Frontline Mfg., Inc. Warsaw, IN



5/31/19