



# Diamond Tub & Showers Submittal Sheet

**Model: SHR3 403977**

**Description: 3 Piece Shower Remodel Unit with Grab Bars & Fold Down Seat (Right Seat Shown)**

Date: \_\_\_\_\_

Customer/Job Name: \_\_\_\_\_

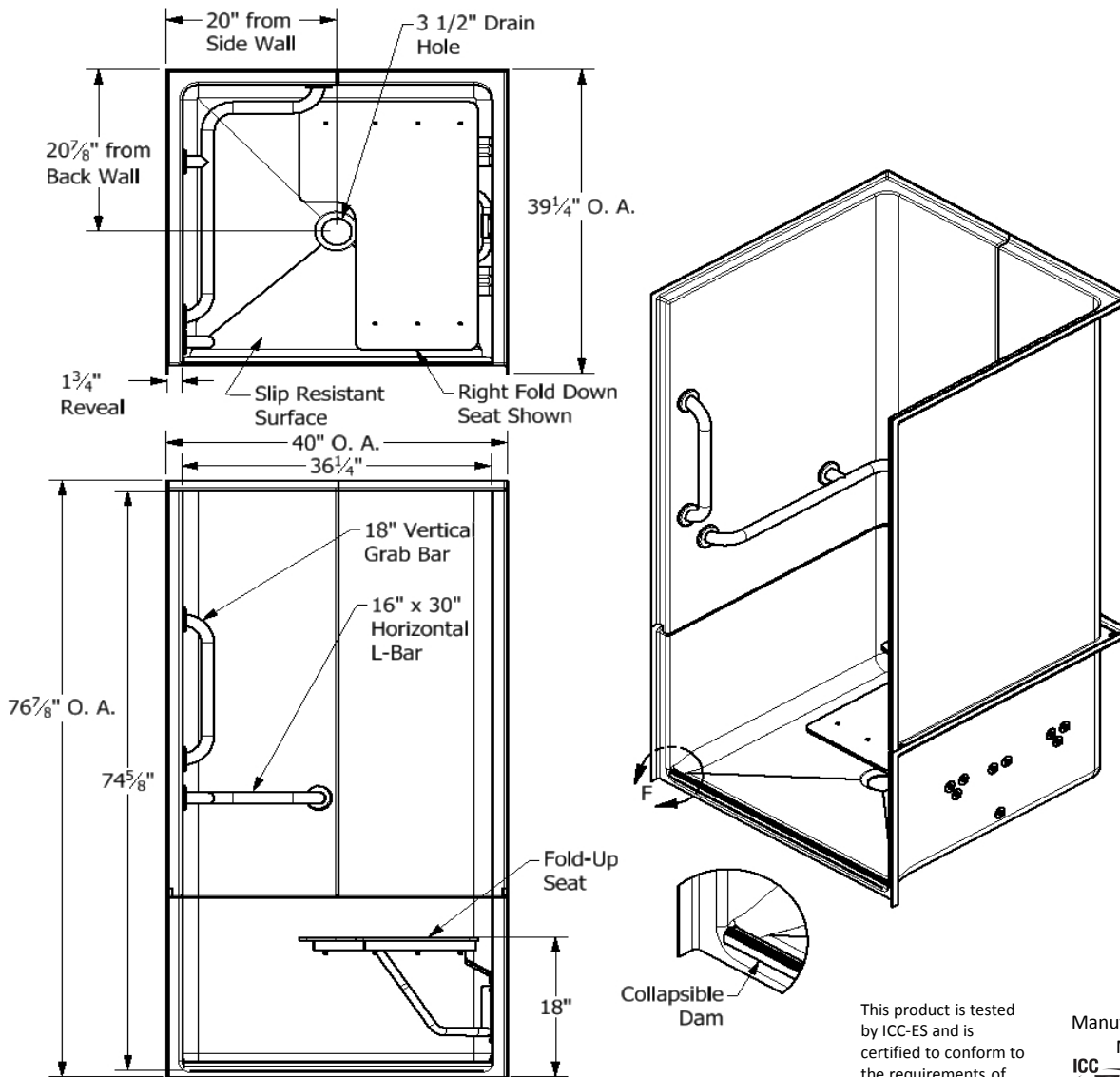
\_\_\_\_\_/\_\_\_\_\_/\_\_\_\_\_  
Date

Approved By \_\_\_\_\_

External Dimensions	40"W x 39 1/4"D x 76 7/8"H
Internal Dimensions	36 1/4"W x 38 1/4"D x 75 3/4"H
Enclosure Opening	NA
Packaged Weight	Lbs
Material	Fiberglass/Gelcoat
Warranty	6 Years

**Accessories & Options:**

- Fold Down Seat
- 1 1/2" x 24" Grab Bar (Not Shown)
- 1 1/2" x 18" Vertical Grab Bar Shown
- 16" x 30" L-Bar
- Collapsible Dam
- SS Curtain Rod
- Shower Curtain with Hooks



This product is tested by ICC-ES and is certified to conform to the requirements of CSA B45.5/IAMPO Z124 standard.

Manufactured by Frontline Mfg., Inc. Warsaw, IN



5/31/19

