



# Diamond Tub & Showers Submittal Sheet

**Model: SH 603276**

**Description: One Piece Handicapped Shower Unit**

Date: \_\_\_\_\_

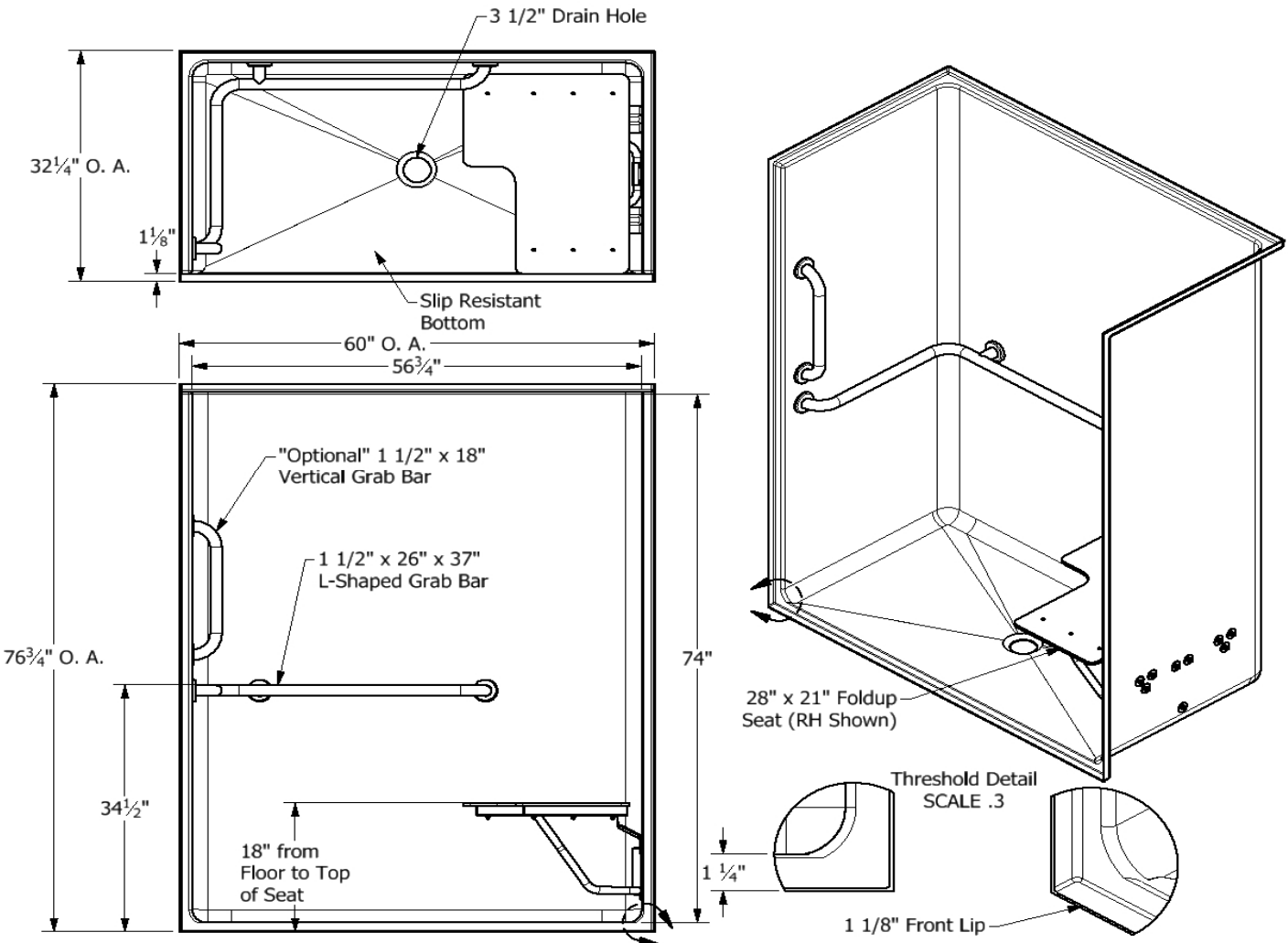
Customer/Job Name: \_\_\_\_\_

Approved By: \_\_\_\_\_ Date: \_\_\_\_/\_\_\_\_/\_\_\_\_

External Dimensions	60"W x 32 1/4"D x 76 3/4"H
External Dimensions	56 3/4"W x 31"D x 75 5/8"H
Enclosure Opening	56 3/4"W x 74"H
Packaged Weight	Lbs
Material	Fiberglass/Gelcoat
Warranty	6 Years

**Accessories & Options:**

- 28" Handicap Seat
- 1 1/2" x 26" x 37" L- Grab Bar
- 1 1/2" x 18" Vertical Grab Bar
- SS Curtain Rod
- Shower Curtain with Hooks



This product is tested by ICC-ES and is certified to conform to the requirements of CSA B45.5/IAMPO Z124 standard.

Manufactured by Frontline Mfg., Inc. Warsaw, IN



7/23/19