



# Diamond Tub & Showers Spec Sheet

Model: SH 603276

Description: One Piece Shower Unit

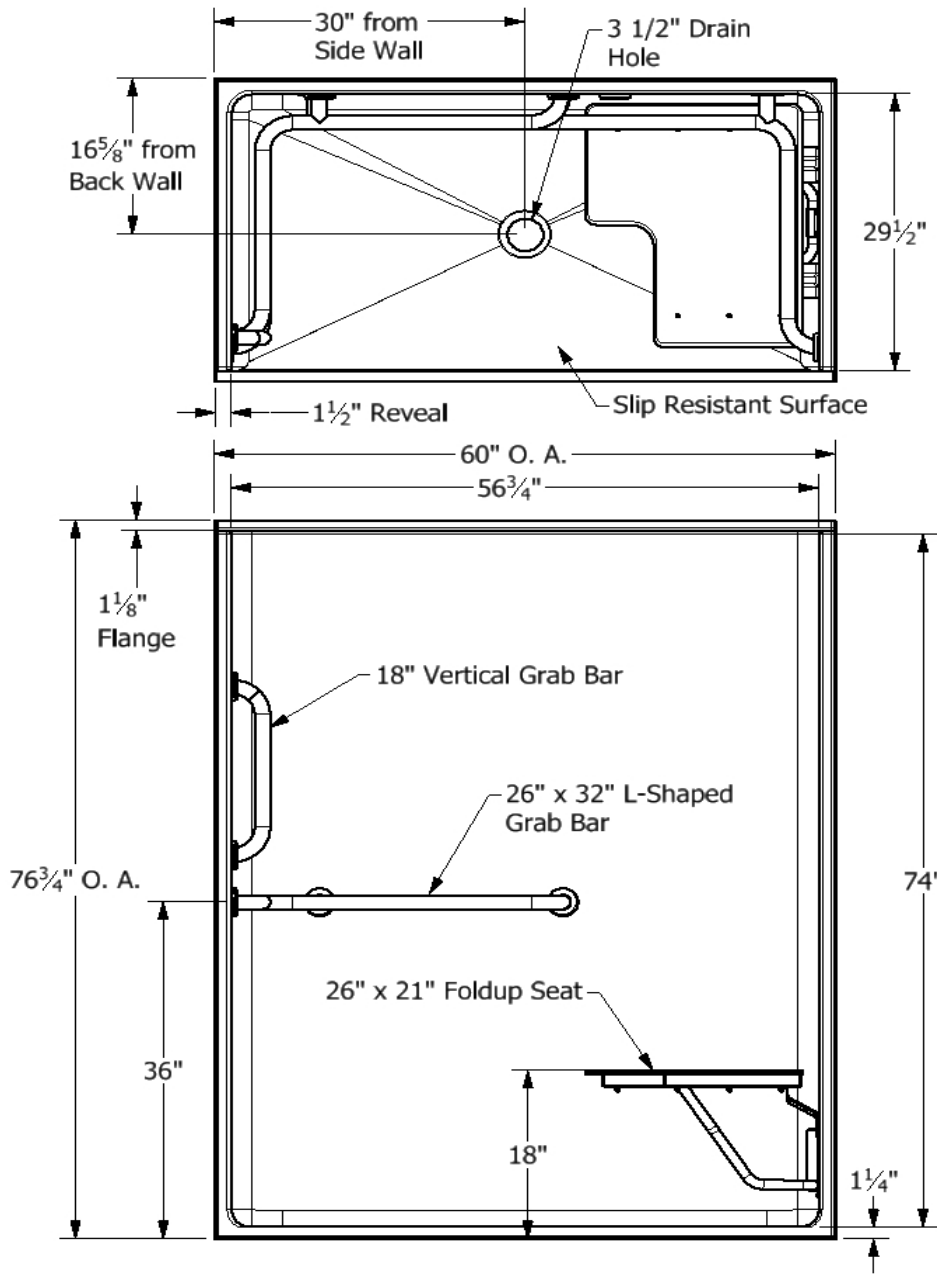
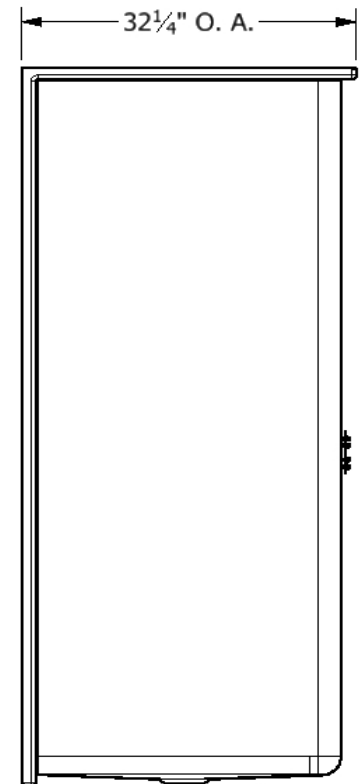
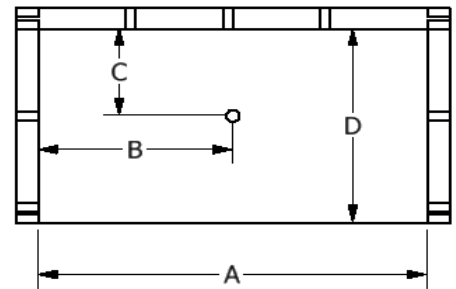
## Specifications

Model #	Material	Wall Finish	Pieces	Drain	Threshold Height	Net Weight Lbs.
SH 603276	Fiberglass/ Gelcoat	Smooth	1	C	1 1/4"	
Enclosure Opening						
Width		Height				
56 3/4"		74"				

## Framing Dimensions

A	B	C	D
60"	30"	16 5/8"	32 1/4"

## Framing Specifications



This product is tested by ICC-ES and is certified to conform to the requirements of CSA B45.5/IAMPO Z124 standard.

Manufactured by Frontline Mfg., Inc. Warsaw, IN  
 ICC ES PMG 5/31/19