



Diamond Tub & Showers Submittal Sheet

Model: SH 505079

Description: One Piece Shower Unit with Grab Bars & Fold Down Seat (Right Seat Shown)

Date: _____

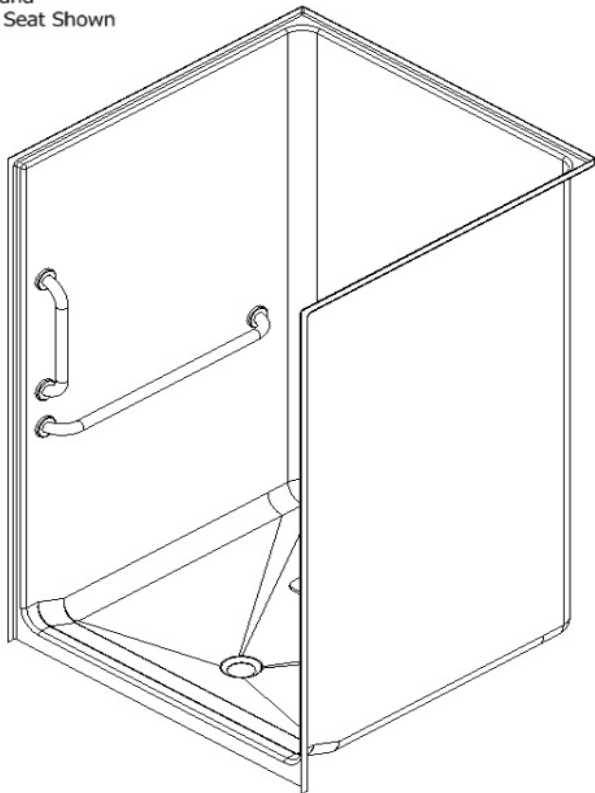
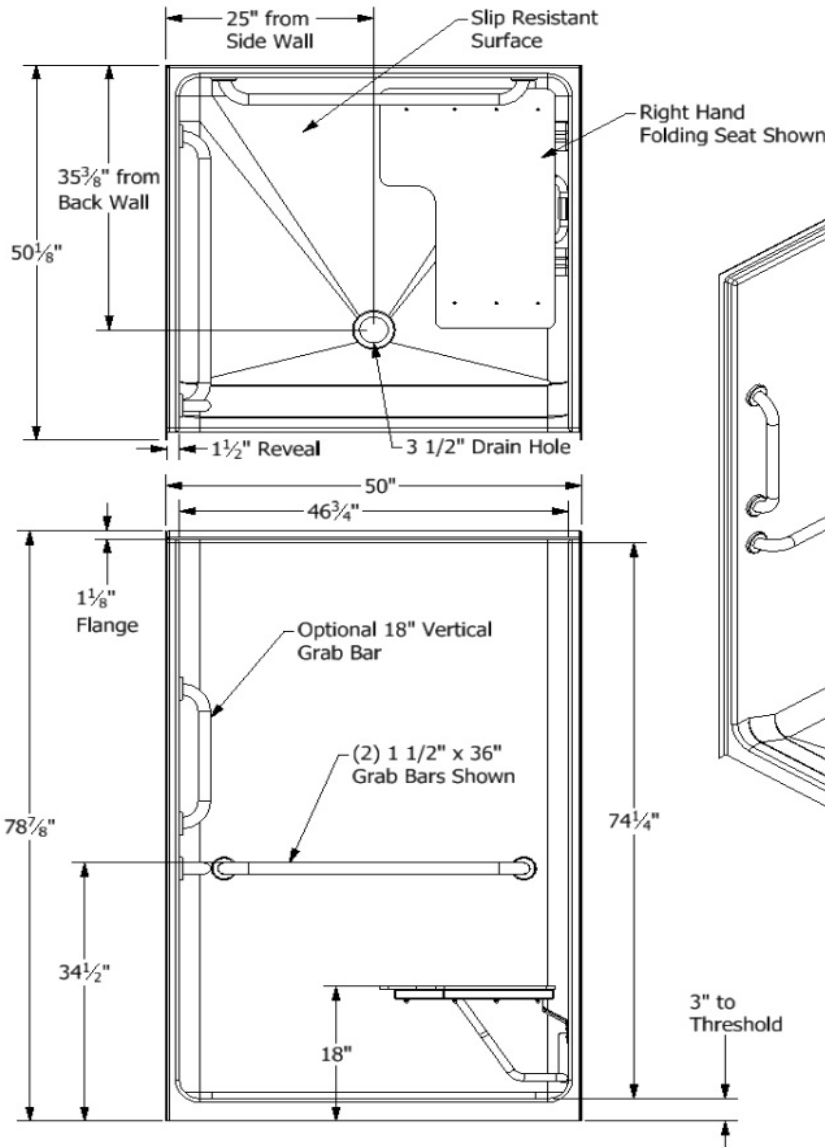
Customer/Job Name: _____

Approved By: _____ Date: ____/____/____

External Dimensions	50"W x 50 1/8"D x 78 7/8"H
Internal Dimensions	46 1/4"W x 48 7/8"D x 77 3/4"H
Enclosure Opening	NA
Packaged Weight	Lbs
Material	Fiberglass/Gelcoat
Warranty	6 Years

Accessories & Options:

- Fold Down Seat
- 1 1/2" x 36" Grab Bar(s)
- 1 1/2" x 18" Vertical Grab Bar
- SS Curtain Rod
- Shower Curtain with Hooks



This product is tested by ICC-ES and is certified to conform to the requirements of CSA B45.5/AMPO Z124 standard.

Manufactured by Frontline Mfg., Inc. Warsaw, IN



5/31/19