



Diamond Tub & Showers Spec Sheet

Model: SH 505079

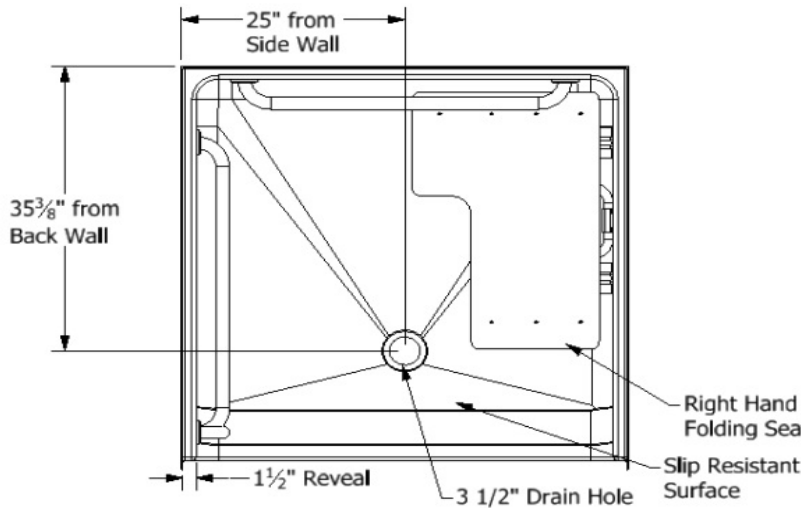
Description: One Piece Shower Unit With Grab Bars & Fold Down Seat
(Right Seat Shown)

Specifications

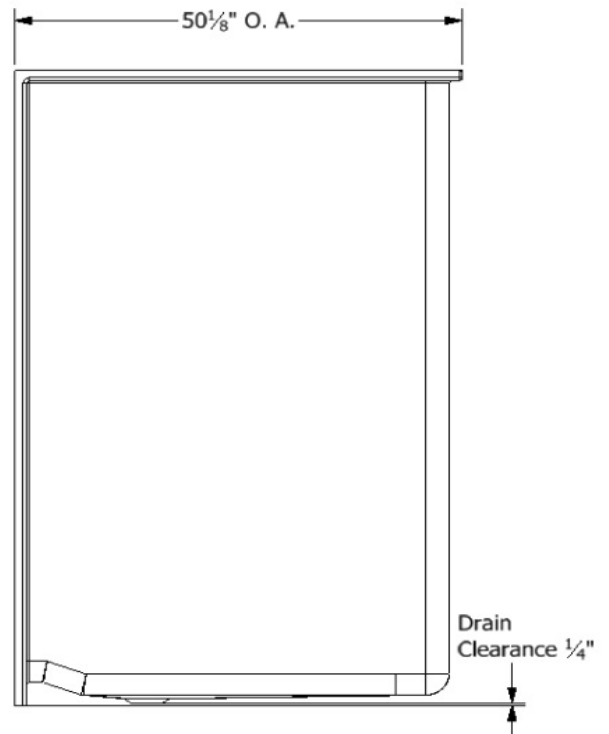
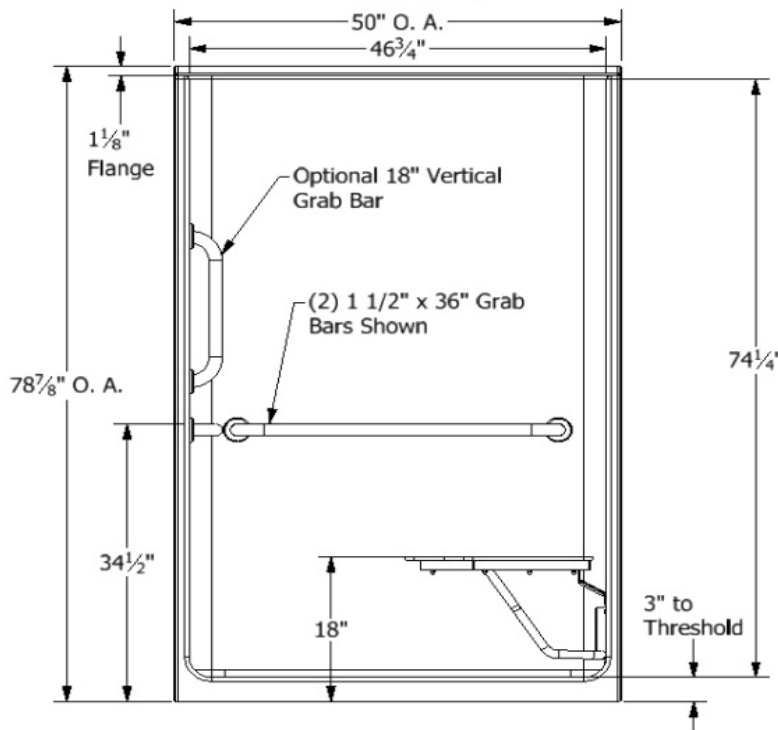
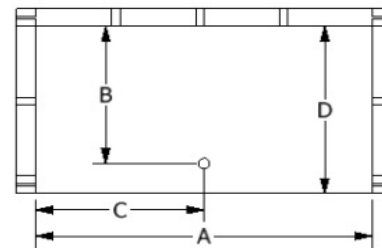
Model #	Material	Wall Finish	Pieces	Drain	Threshold Height	Net Weight Lbs.
SH 505079	Fiberglass/ Gelcoat	Smooth	1	F/C	3"	
Enclosure Opening						
Width		Height				
46 3/4"		74 1/4"				

Framing Dimensions

A	B	C	D
50 1/8"	35 3/8"	25"	50 1/8"



Framing Specifications



This product is tested by ICC-ES and is certified to conform to the requirements of CSA B45.5/IAMPO Z124 standard.

Manufactured by Frontline Mfg., Inc. Warsaw, IN



5/31/19