

## Collapsible Dam Installation

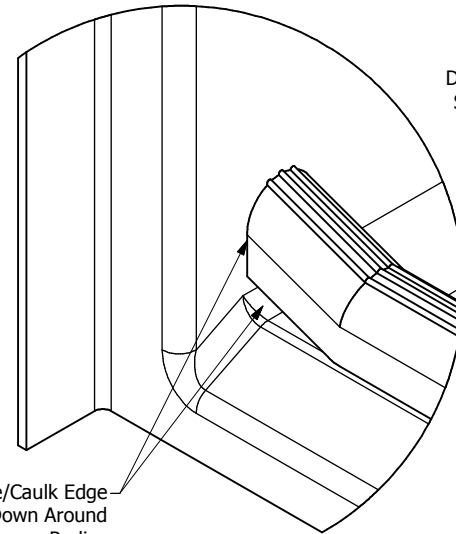
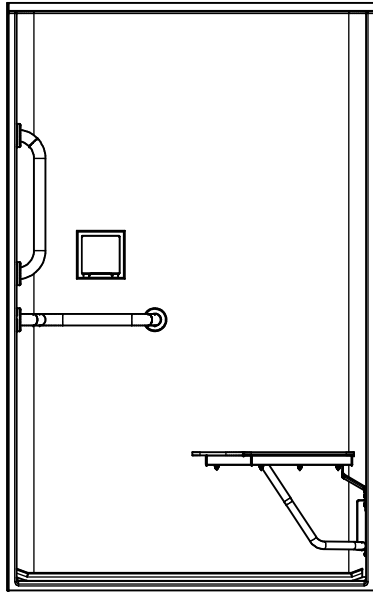
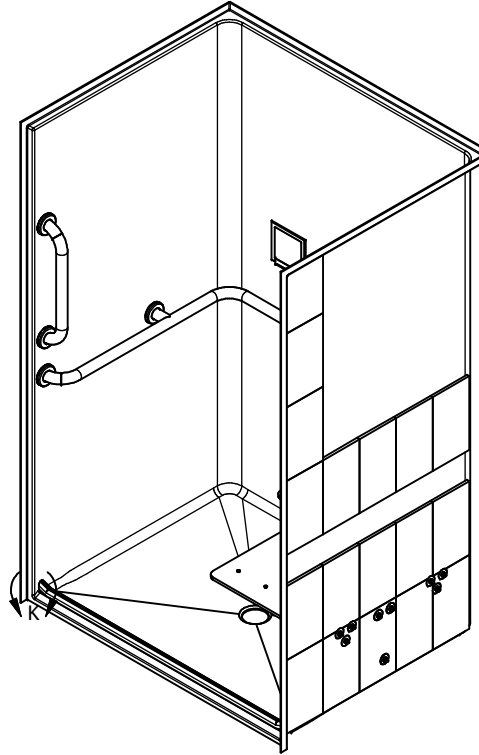
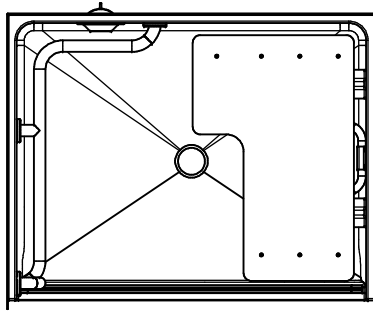
1 - Each end will need to be cut off at a small angle to blend/fit on to the wall. Start with one side. The adhesive back should wrap up the side approximately 1". Determine where that is, and cut the dam at an angle so that from that point it will blend up into the side.

2 - Carefully lay the dam along the shower, and determine the length and angle on to the other side. Cut end to fit.

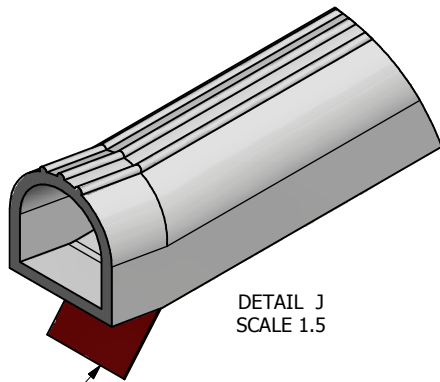
3 - Wipe the area where the dam will be placed with a solvent to remove all dirt and dust.

4 - Peel back a little of the adhesive strip, and start the dam at the 1" mark. Start to apply the dam, working it around radius while carefully removing the backing as you move across the shower.

5 - Make any last minute adjustments to the angles cut on each end, then silicone them fast to the side of the unit.



DETAIL K  
SCALE 1



DETAIL J  
SCALE 1.5

Adhesive Strip

DRAWN Paul Carter	11/12/2012		
CHECKED		TITLE	
QA		Collapsible Dam Installation Instructions (SH 483876 Shown)	
MFG			
APPROVED		SIZE	DWG NO
		C	SH 483876 wi Collapsible Dam
		SCALE	REV
			SHEET 4 OF 5