



Diamond Tub & Showers Submittal Sheet

Model: SH 483876

Description: One Piece Handicapped Shower Unit

Date: _____

Customer/Job Name: _____

ADA Compliant when installed according to ADA & Diamond guidelines.

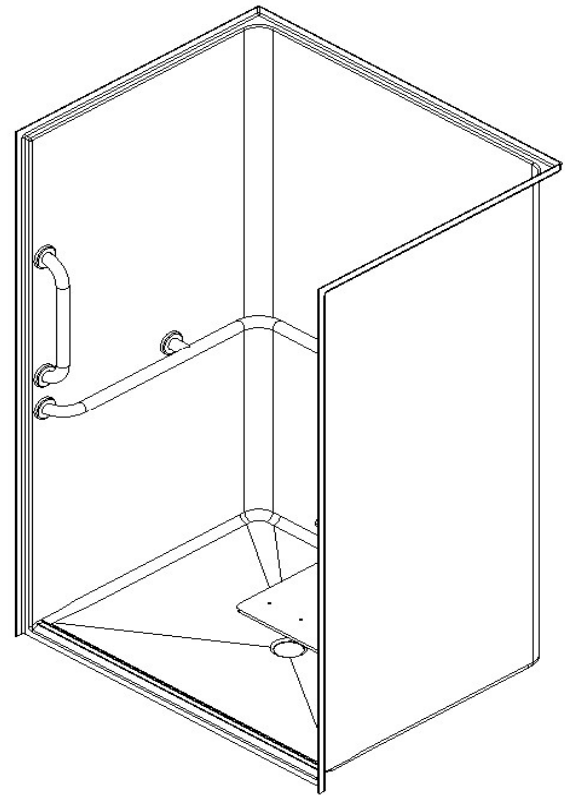
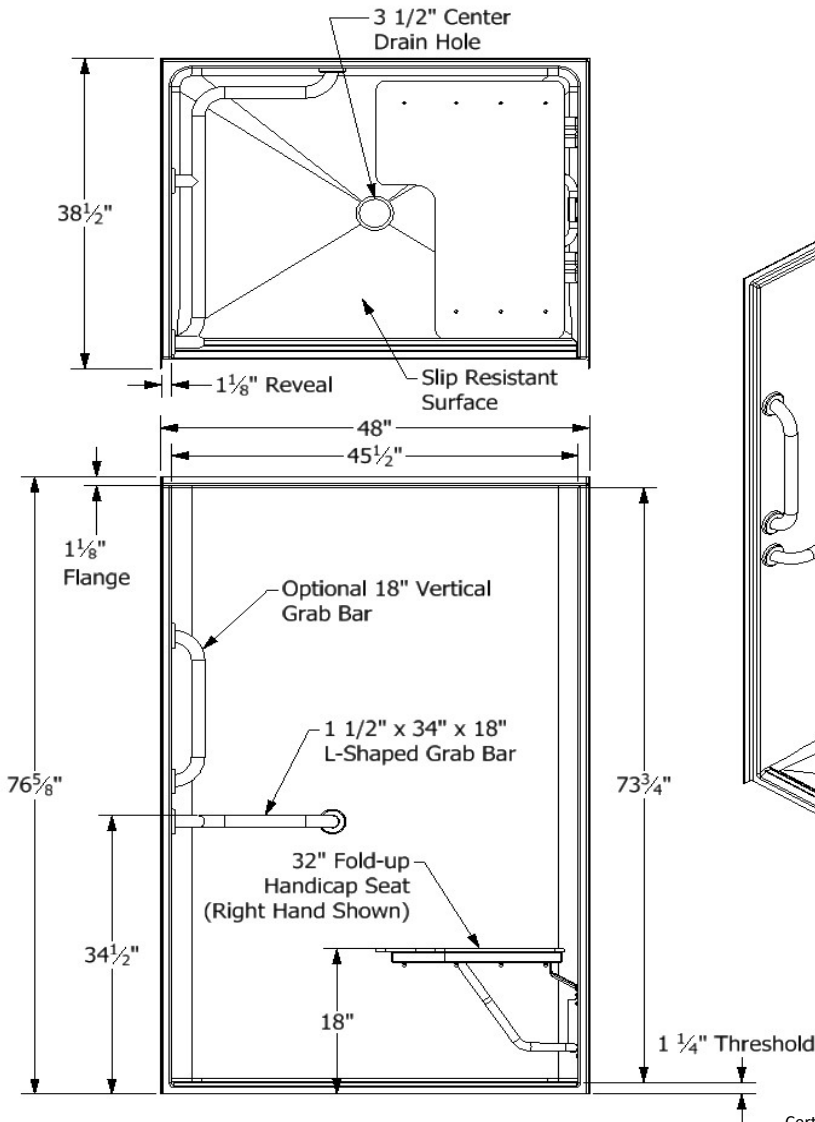
Approved By _____

Date _____ / _____ / _____

External Dimensions	48"W x 38 1/2"D x 76 5/8"H
Internal Dimensions	45 1/2"W x 37 1/4"D x 75 1/2"H
Enclosure Opening	45 1/2"W x 73 7/8"H
Packaged Weight	Lbs
Material	Fiberglass/Gelcoat
Warranty	6 Years

Accessories & Options:

- 32" Handicap Seat
- 1 1/2" x 34" x 18" L- Grab Bar
- 1 1/2 x 18" Vertical Grab Bar
- SS Curtain Rod
- Shower Curtain with Hooks



Certified to conform to ANSI Z124.1 and ASTM E- 162 Flame Spread Rating 200 or less and is under a program of factory inspection.

Manufactured by Frontline Mfg., Inc. Warsaw, IN



10/04/21