



Diamond Tub & Showers Spec Sheet

Model: SH 483876

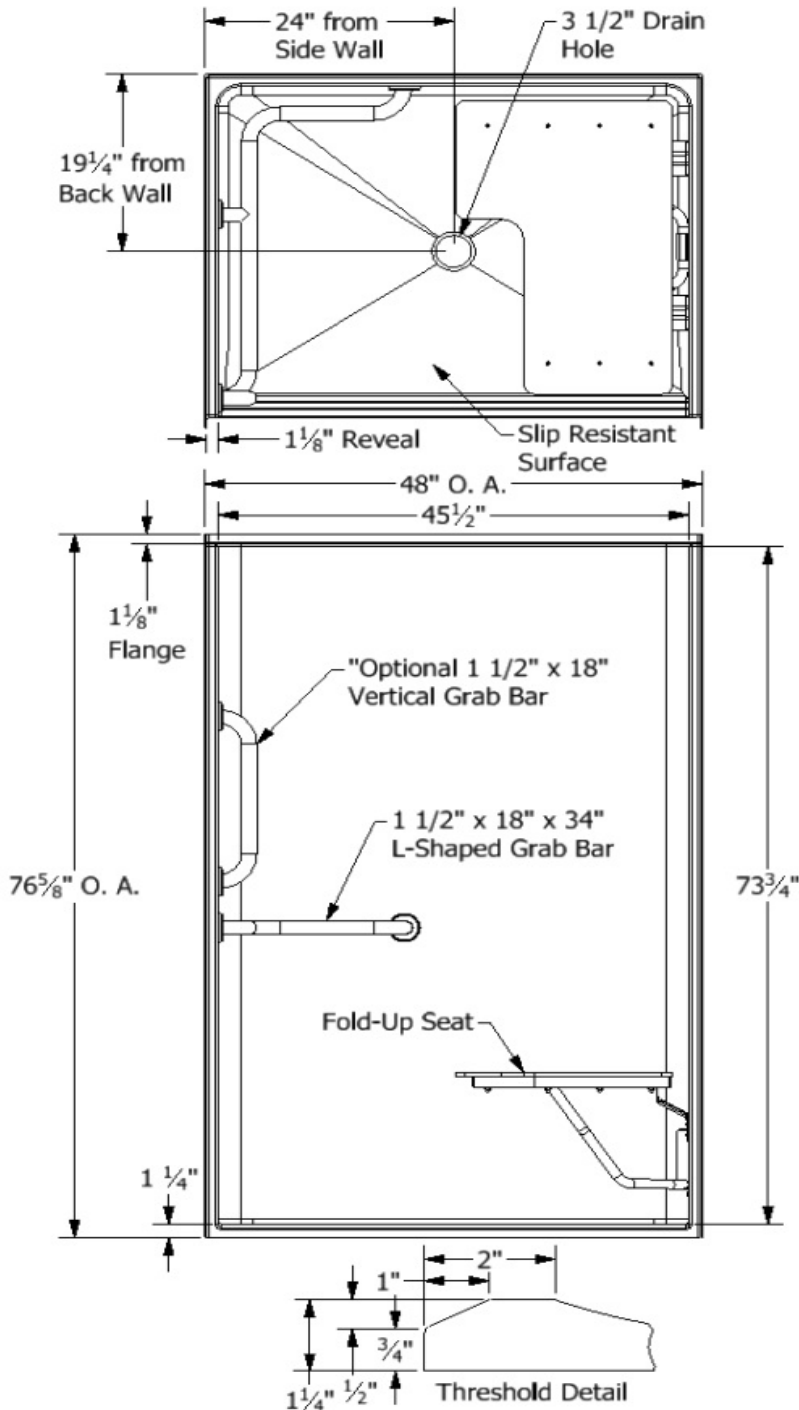
Description: One Piece Handicapped Shower Unit

Specifications

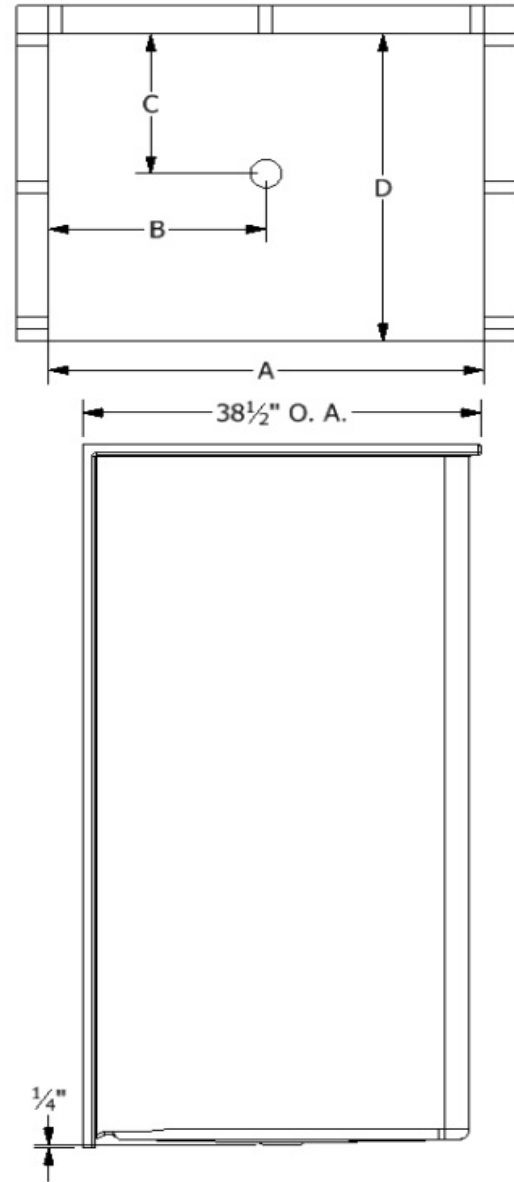
Model #	Material	Wall Finish	Pieces	Drain	Threshold Height	Net Weight Lbs.
SH 483876	Fiberglass/Gelcoat	Smooth	1	C	1 1/4"	
Enclosure Opening						
Width		Height				
45 1/2"		73 3/4"				

Framing Dimensions

A	B	C	D
48 1/8"	24"	19 1/4"	38 1/2"



Framing Specifications



This product is tested by ICC-ES and is certified to conform to the requirements of CSA B45.5/IAMPO Z124 standard.

Manufactured by Frontline Mfg., Inc. Warsaw, IN



5/31/19