



Diamond Tub & Showers Submittal Sheet

Model: SH 383877

Description: One Piece Handicapped Shower Unit

Date: _____

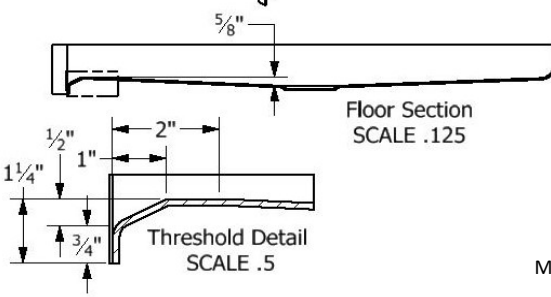
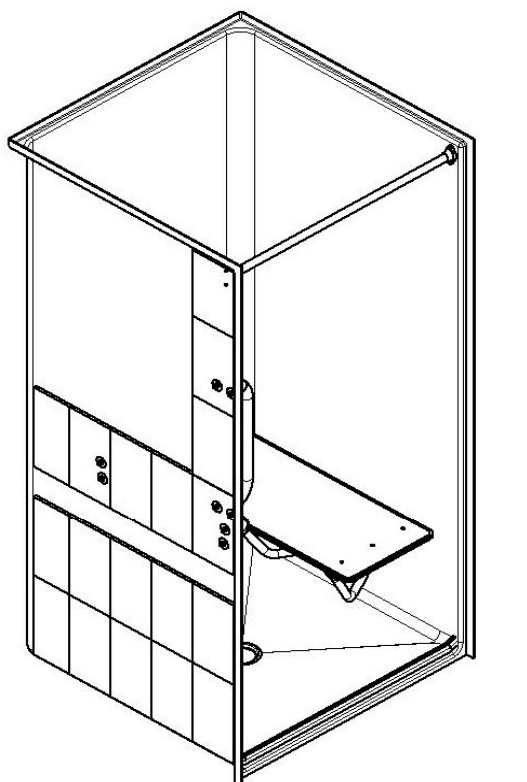
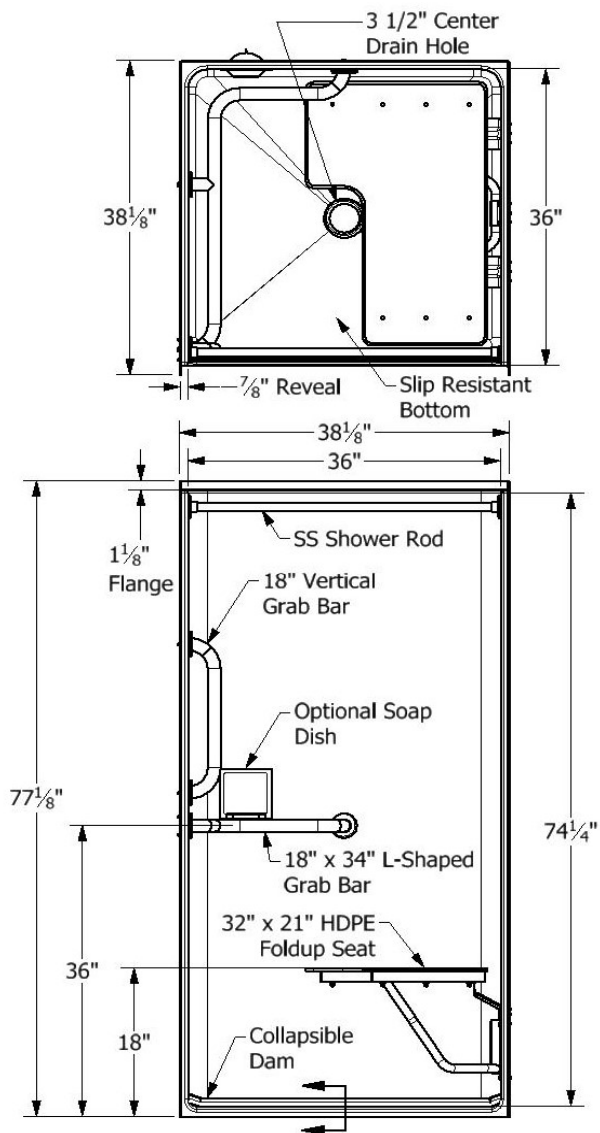
Customer/Job Name: _____

ADA Compliant when installed according to ADA & Diamond guidelines.

Accessories & Options:

- 32" x 21" Foldup Seat, R or L
- 1 1/2" x 18" x 34" L-Shaped Grab Bar
- 1 1/2" x 18" Vertical Grab Bar
- 4' SS Curtain Rod
- 48 x 72 Shower Curtain with Hooks
- SS Soap Dish
- 6' Collapsible Dam
- FHA Backing Standard

Approved By		Date
External Dimensions	38 1/4"W x 38 1/4"D x 77 1/8"H	
Internal Dimensions	36"W x 74 3/8"H	
Enclosure Opening	36"W x 74 3/8"H	
Packaged Weight	Lbs	
Material	Fiberglass/Gelcoat	
Warranty	6 Years	



Manufactured by Frontline Mfg., Inc. Warsaw, IN



6/1/20