



# Diamond Tub & Showers Spec Sheet

Model: SH 383877

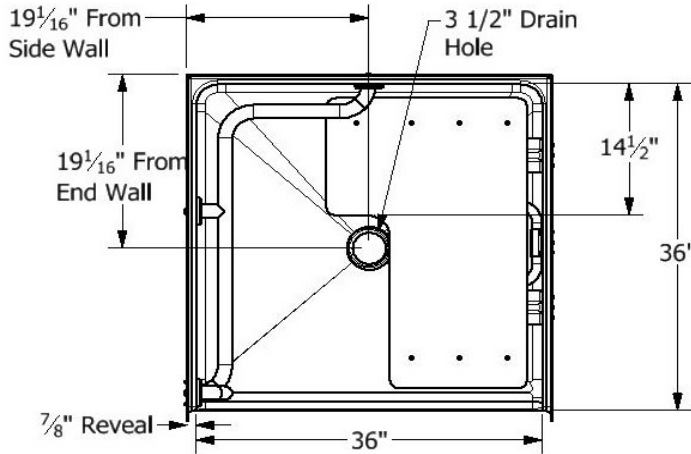
Description: One Piece Handicapped Shower Unit

## Specifications

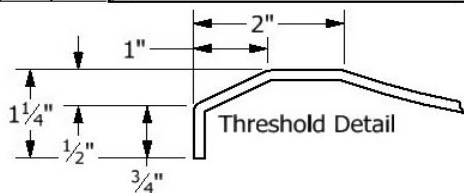
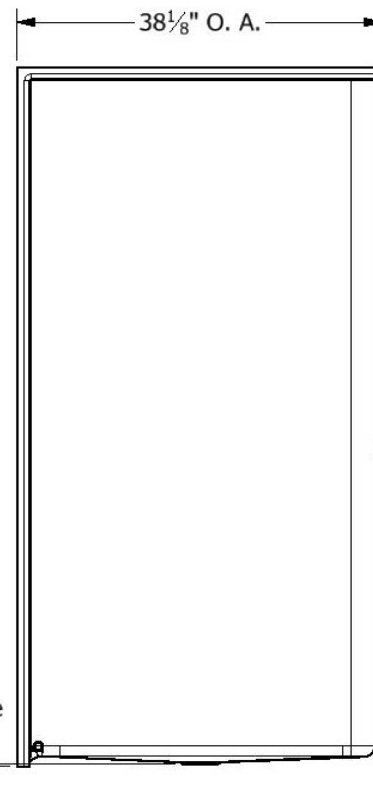
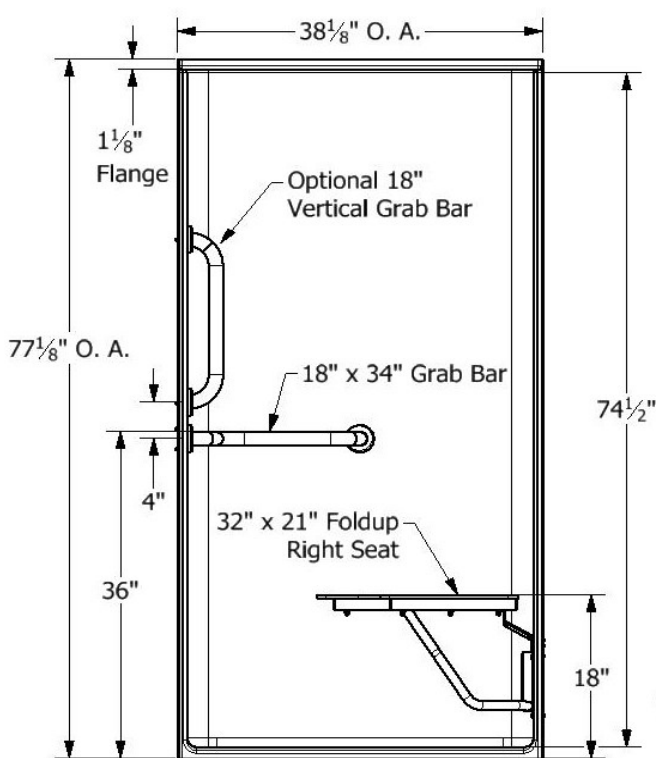
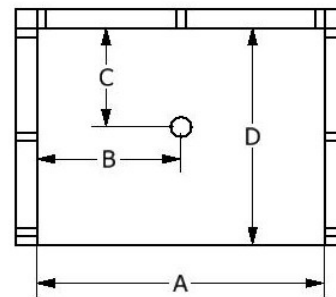
Model #	Material	Wall Finish	Pieces	Drain	Threshold Height	Net Weight Lbs.
SH 383877	Fiberglass/Gelcoat	Smooth	1	C	1 1/4"	
Enclosure Opening						
Width		Height				
36"		74 1/2"				

## Framing Dimensions

A	B	C	D
38 1/8"	19 1/16"	19 1/16"	38 1/8"



## Framing Specifications



Certified to conform to ANSI Z124.1 and ASTM E-162 Flame Spread Rating 200 or less and is under a program of factory inspection.

Manufactured by Frontline Mfg., Inc. Warsaw, IN



6/1/20