



# Diamond Tub & Showers Spec Sheet

## Model: SDS 603779 (SDS 6037XX)

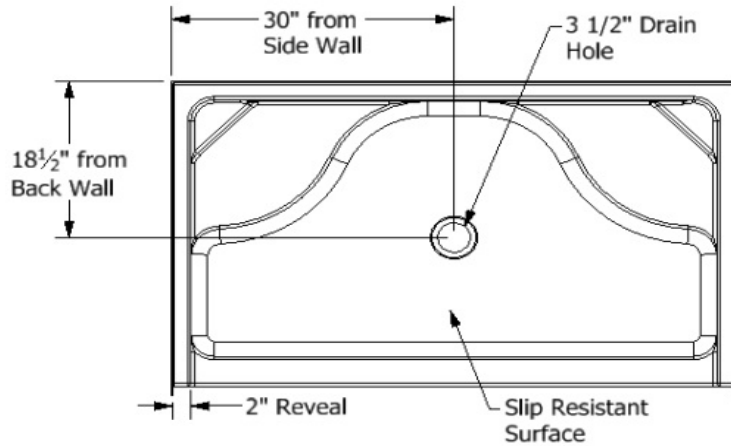
Description: One Piece Shower Unit with Double Seat

### Specifications

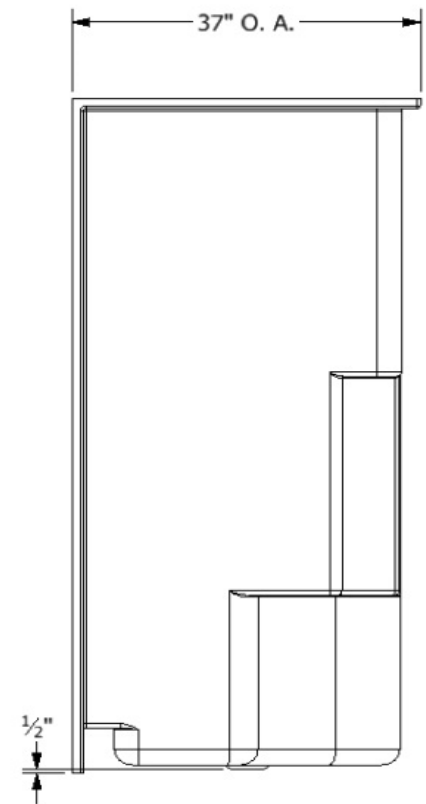
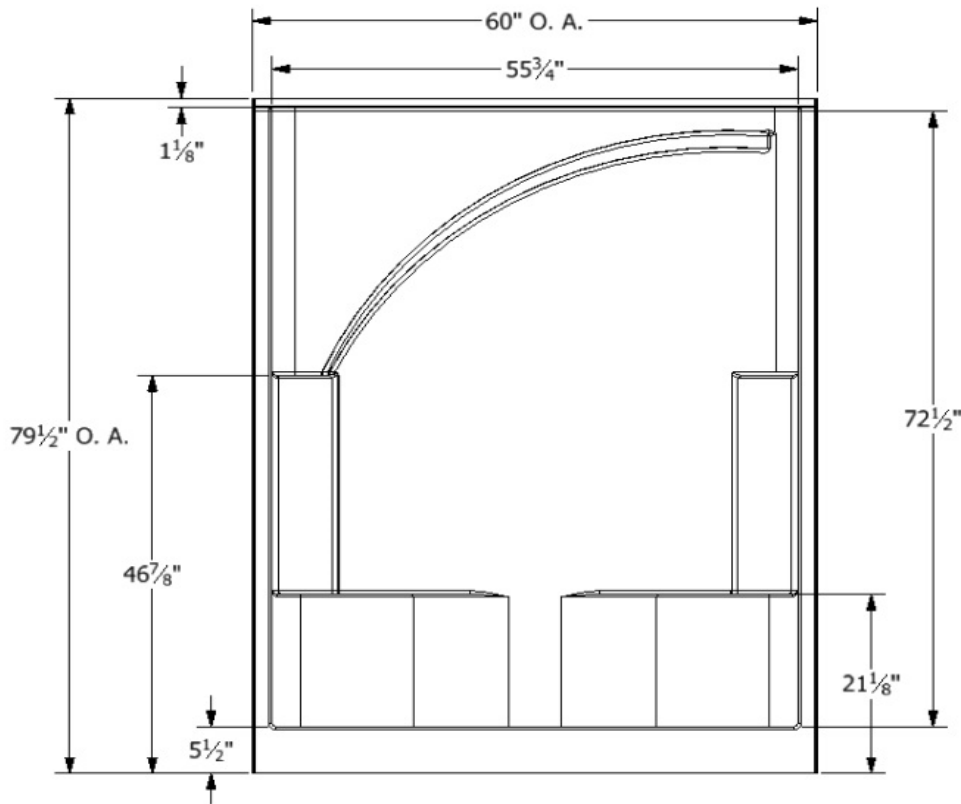
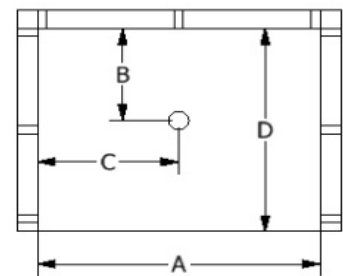
Model #	Material	Wall Finish	Pieces	Drain	Threshold Height	Net Weight Lbs.
SDS 603779	Fiberglass/Gelcoat	Smooth	1	C	5 1/2"	
Enclosure Opening						
Width		Height				
55 3/4"		72 1/2"				

### Framing Dimensions

A	B	C	D
60"	18 1/2"	30"	37"



### Framing Specifications



This product is tested by ICC-ES and is certified to conform to the requirements of CSA B45.5/IAMPO Z124 standard.

Manufactured by Frontline Mfg., Inc. Warsaw, IN  
 ICC ES PMG  
 5/31/19