



Diamond Tub & Showers Spec Sheet

Model: SDS 603573 (SDS 6035XX)

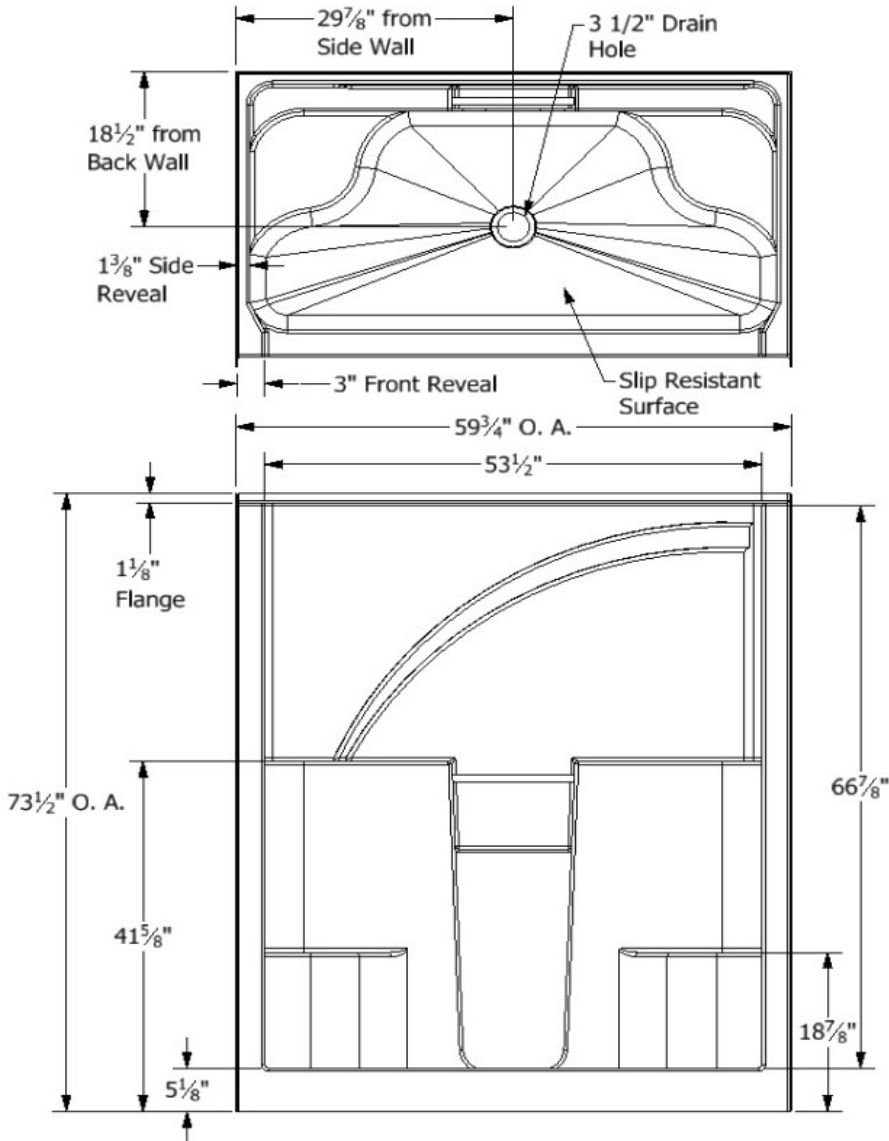
Description: One Piece Shower Unit with Double Seat

Specifications

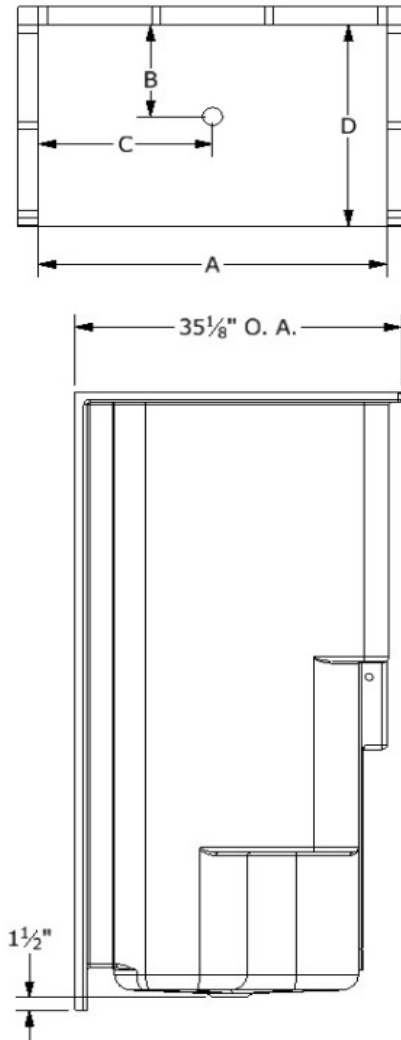
Model #	Material	Wall Finish	Pieces	Drain	Threshold Height	Net Weight Lbs.
SDS 603573	Fiberglass/Gelcoat	Smooth	1	C	5 1/8"	
Enclosure Opening						
Width		Height				
53 1/2"		66 7/8"				

Framing Dimensions

A	B	C	D
59 3/4"	18 1/2"	29 7/8"	35 1/8"



Framing Specifications



Certified to conform to ANSI Z124.1 and ASTM E-162 Flame Spread Rating 200 or less and is under a program of factory inspection.

Manufactured by Frontline Mfg., Inc. Warsaw, IN



5/31/19



Diamond Tub & Showers Spec Sheet

Model: SDS 603576 (SDS 6035XX)

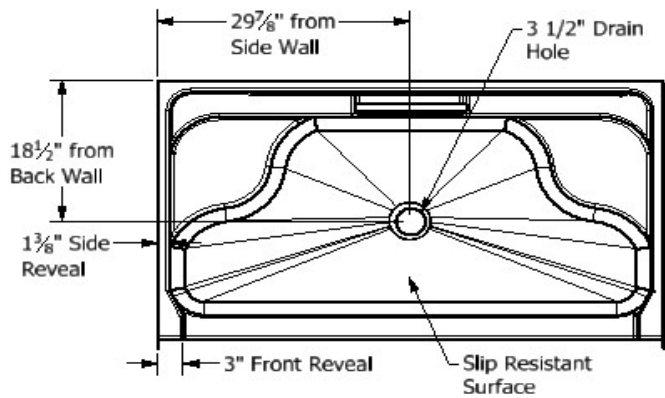
Description: One Piece Shower Unit with Double Seat

Specifications

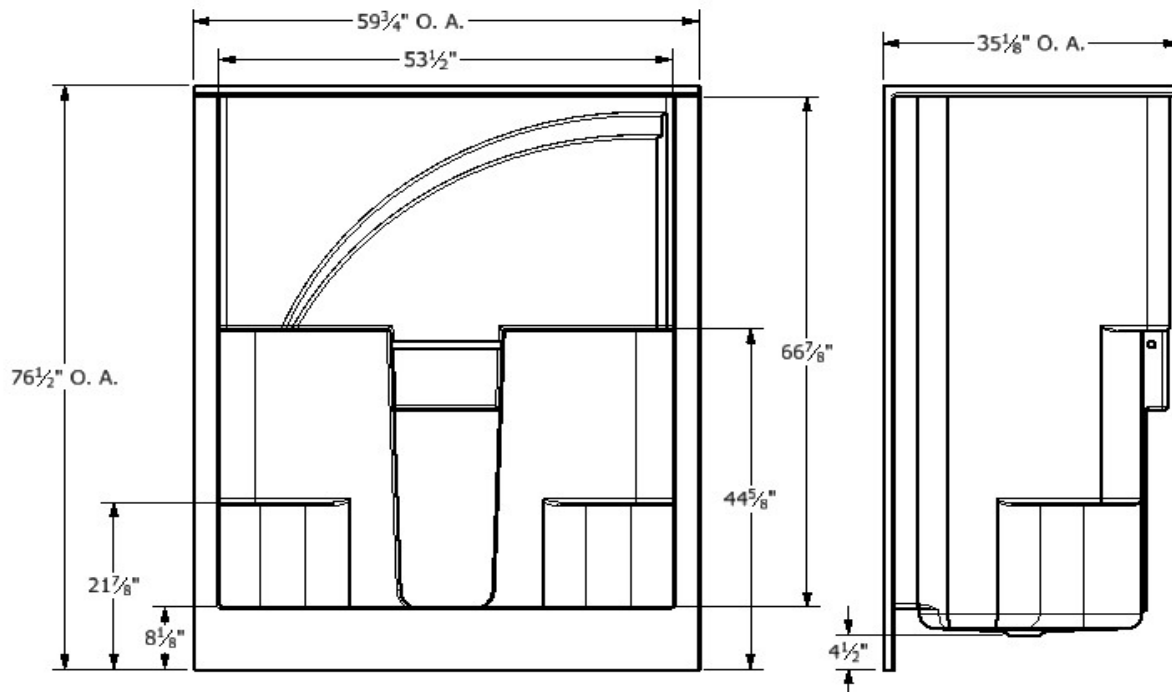
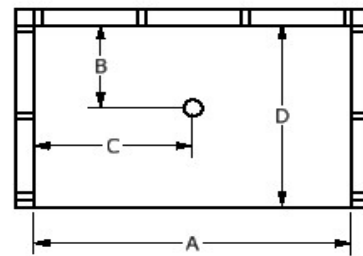
Model #	Material	Wall Finish	Pieces	Drain	Threshold Height	Net Weight Lbs.
SDS 603576	Fiberglass/Gelcoat	Smooth	1	C	8 1/8"	
Enclosure Opening						
Width	Height					
53 1/2"	66 7/8"					

Framing Dimensions

A	B	C	D
59 3/4"	18 1/2"	29 7/8"	35 1/8"



Framing Specifications



Certified to conform to ANSI Z124.1 and ASTM E-162 Flame Spread Rating 200 or less and is under a program of factory inspection.

Manufactured by Frontline Mfg., Inc. Warsaw, IN



4/12/21