



# Diamond Tub & Showers Spec Sheet

Model: SDS 542873/76/78 (73" Shown)

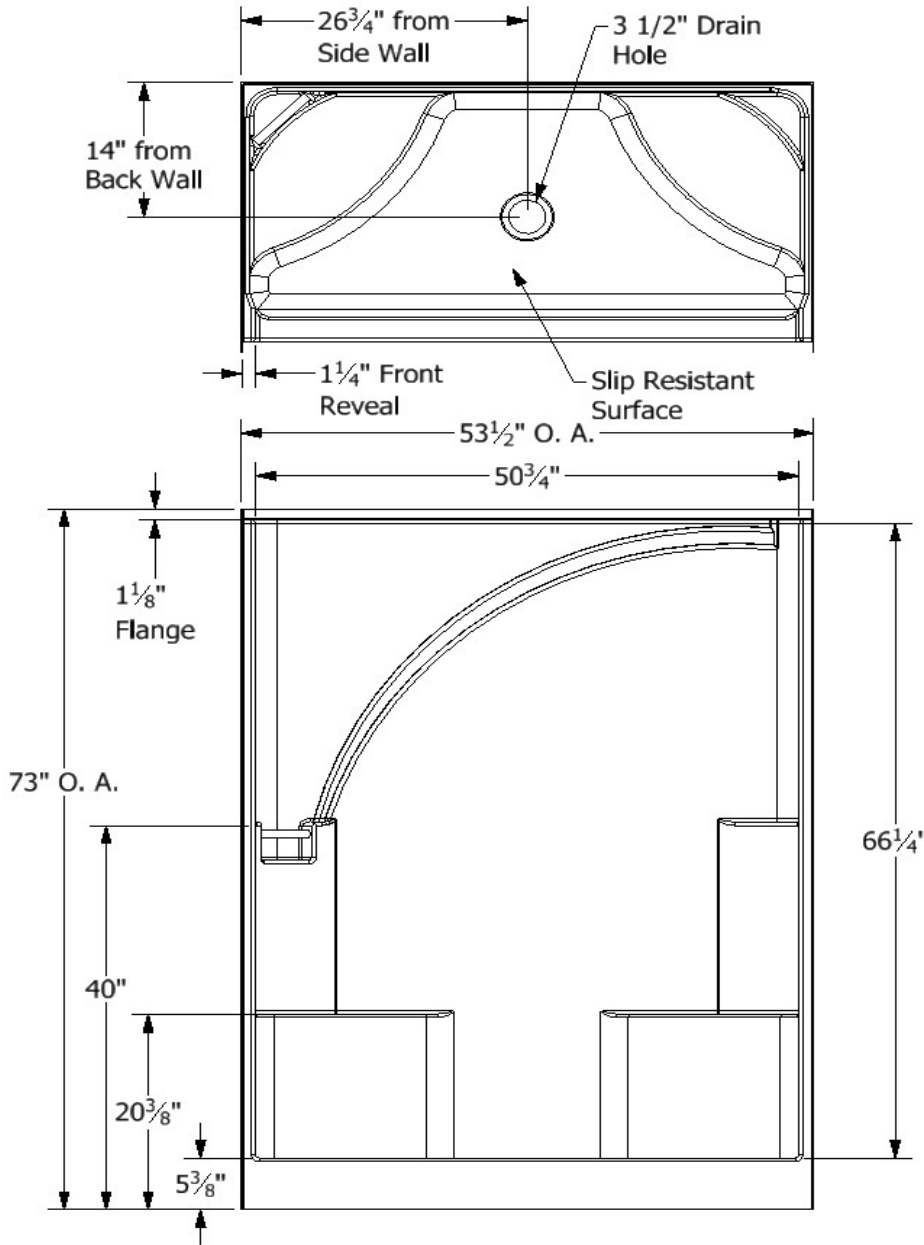
Description: One Piece Shower Unit With Double Seats

## Specifications

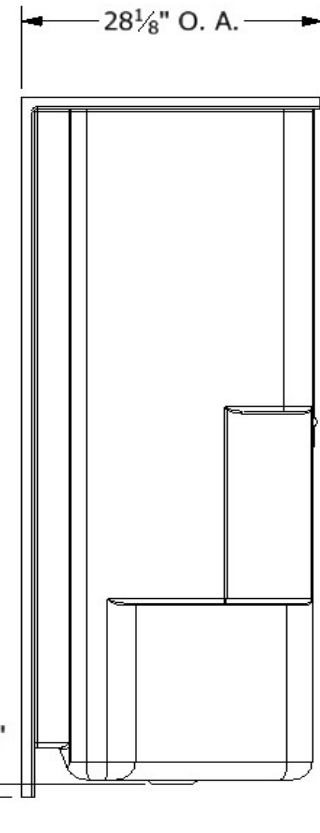
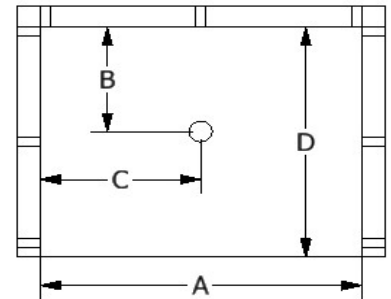
Model #	Material	Wall Finish	Pieces	Drain	Threshold Height	Net Weight Lbs.
SDS 542873	Fiberglass/Gelcoat	Smooth	1	C	5 3/8"	
Enclosure Opening						
Width		Height				
50 3/4"		66 1/4"				

## Framing Dimensions

A	B	C	D
53 1/2"	14"	26 3/4"	28 1/8"



## Framing Specifications



This product is certified to conform to the requirements of CSA B45.5/IAMPO Z124 standard.

Manufactured by Frontline Mfg., Inc. Warsaw, IN



5/31/19



# Diamond Tub & Showers Spec Sheet

**Model: SDS 542876**

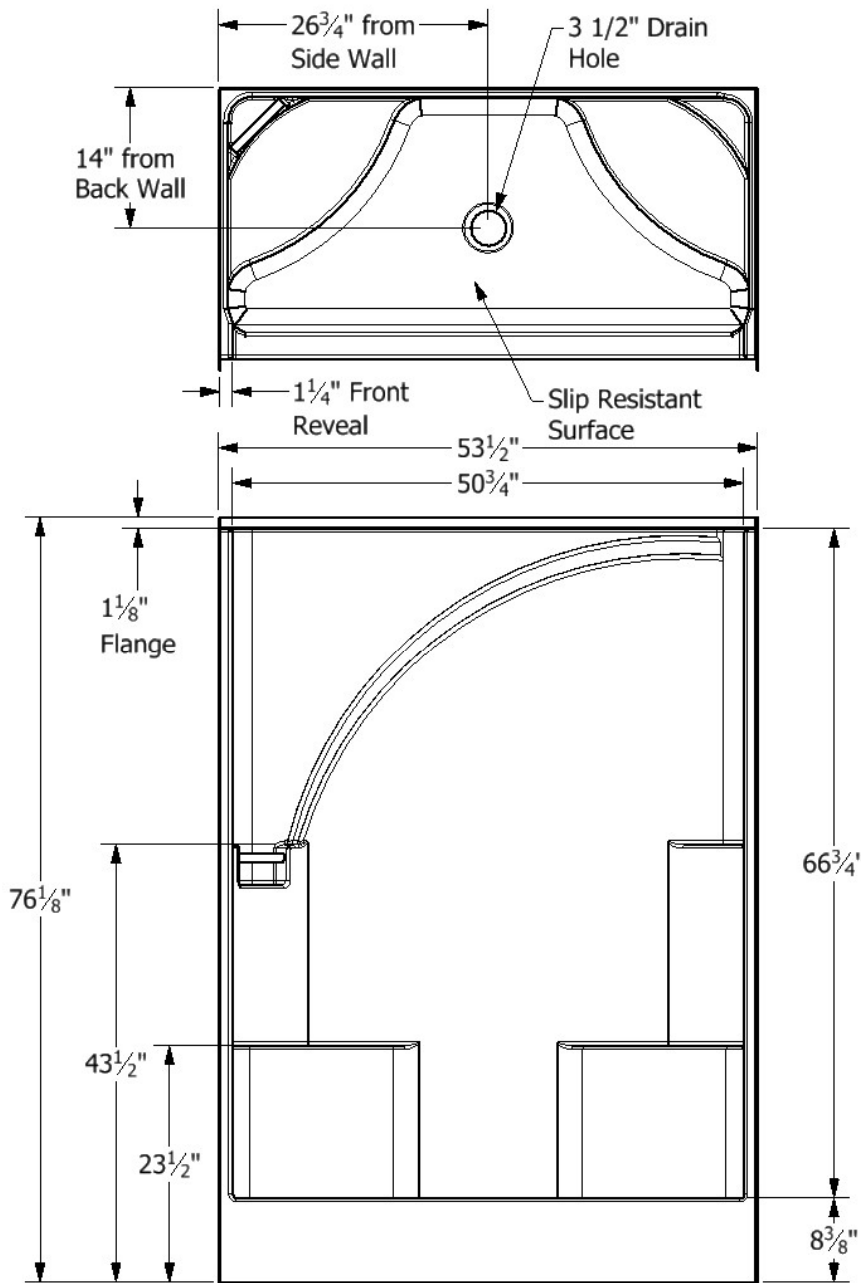
**Description: One Piece Shower Unit With Double Seats**

## Specifications

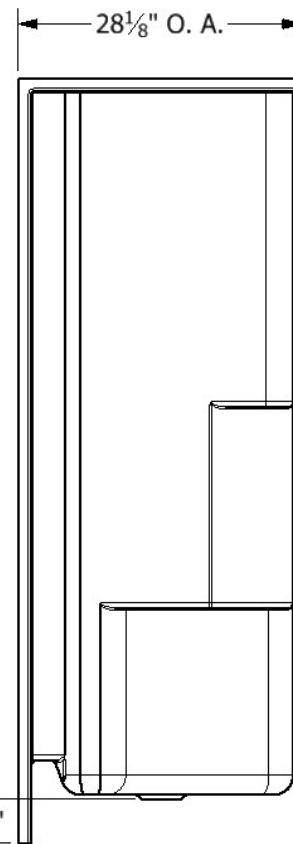
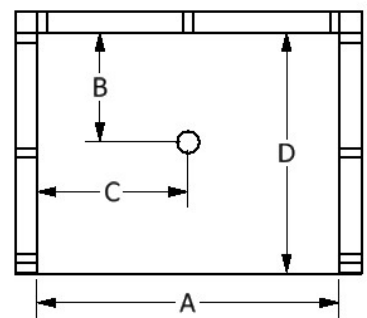
Model #	Material	Wall Finish	Pieces	Drain	Threshold Height	Net Weight Lbs.
SDS 542876	Fiberglass/Gelcoat	Smooth	1	C	8 3/8"	
Enclosure Opening						
Width	Height					
50 3/4"	66 1/4"					

## Framing Dimensions

A	B	C	D
53 1/2"	14"	26 3/4"	28 1/8"



## Framing Specifications



This product is certified to conform to the requirements of CSA B45.5/IAMPO Z124 standard.

Manufactured by Front Mfg., Inc. Warsaw



6/5/19



# Diamond Tub & Showers Spec Sheet

**Model: SDS 542878**

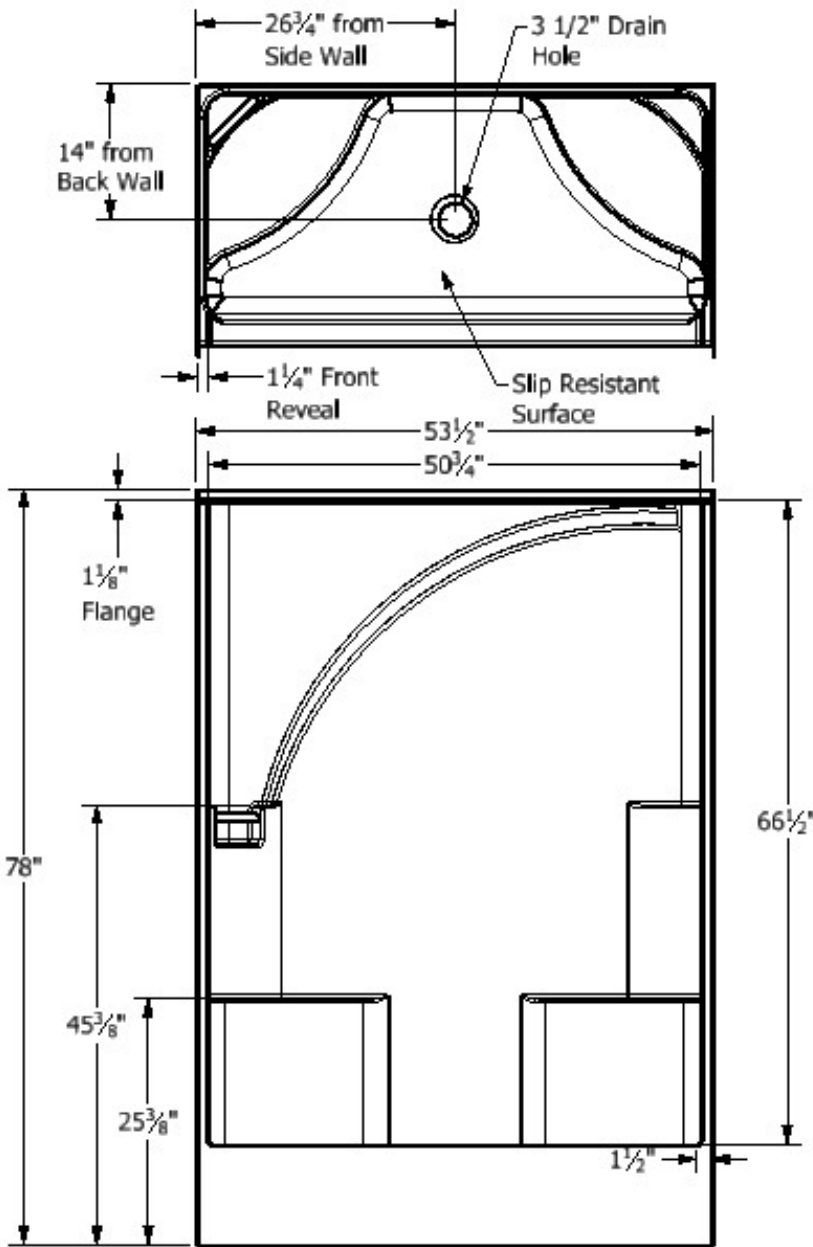
**Description: One Piece Shower Unit With Double Seats**

## Specifications

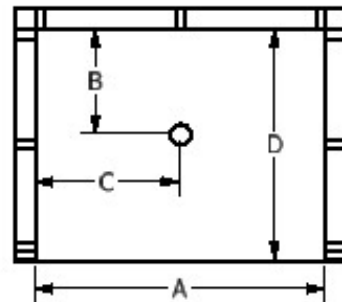
Model #	Material	Wall Finish	Pieces	Drain	Threshold Height	Net Weight Lbs.
SDS 542878	Fiberglass/Gelcoat	Smooth	1	C	8 3/8"	
Enclosure Opening						
Width	Height					
50 3/4"	66 1/4"					

## Framing Dimensions

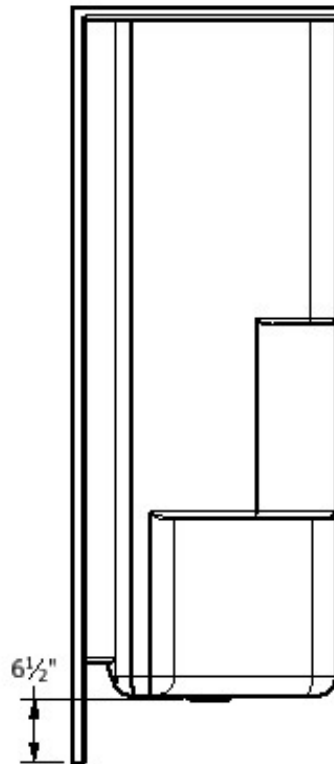
A	B	C	D
53 1/2"	14"	26 3/4"	28 1/8"



## Framing Specifications



28 1/8" O. A.



This product is certified to conform to the requirements of CSA B45.5/IAMPO Z124 standard.

Manufactured by Frontline Mfg., Inc. Warsaw, IN

