



# Diamond Tub & Showers Spec Sheet

## Model: SDS 483574 (SDS 4835XX)

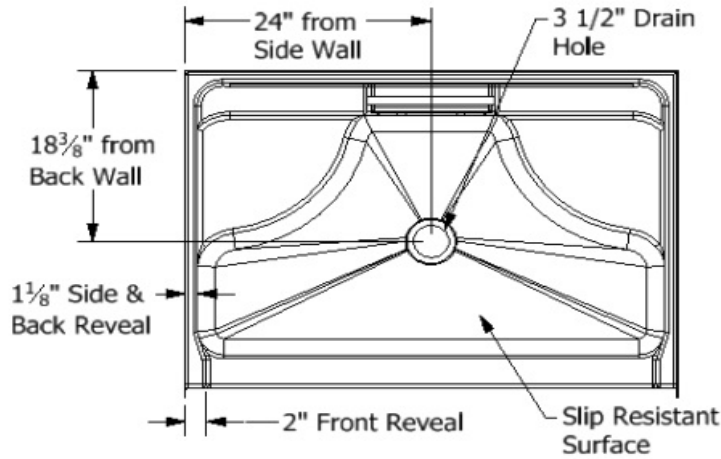
Description: One Piece Shower Unit with Double Seat

### Specifications

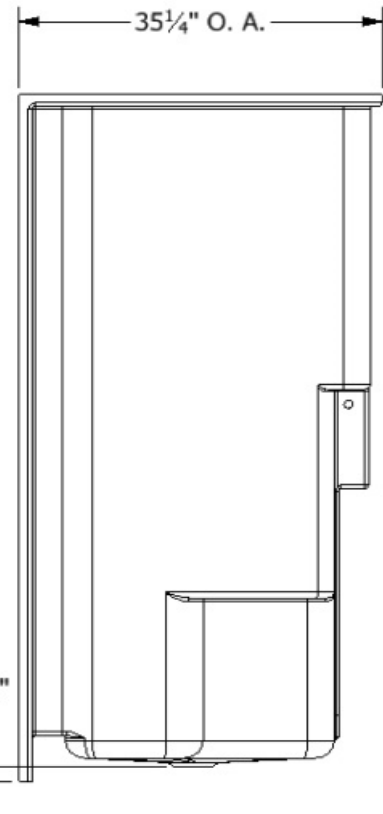
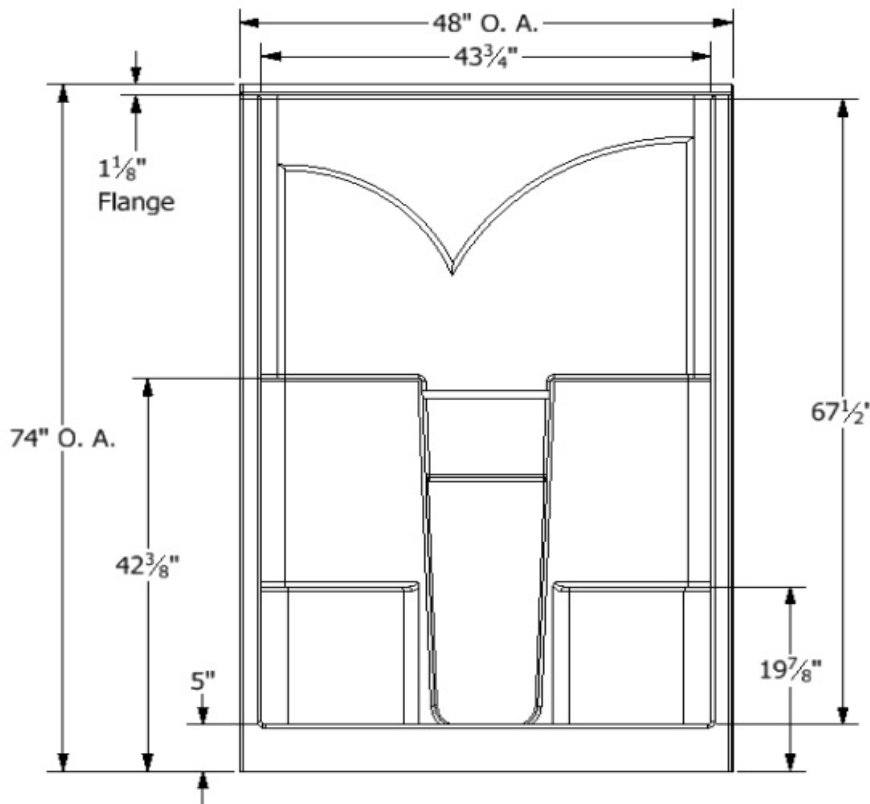
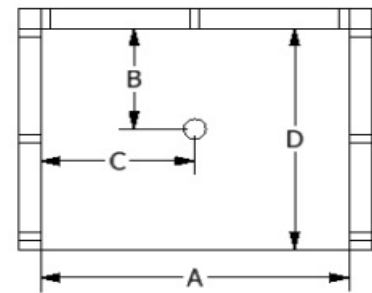
Model #	Material	Wall Finish	Pieces	Drain	Threshold Height	Net Weight Lbs.
SDS 483574	Fiberglass/Gelcoat	Smooth	1	C	5"	
Enclosure Opening						
Width		Height				
43 3/4"		67 1/2"				

### Framing Dimensions

A	B	C	D
48"	18 3/8"	24"	35 1/4"



### Framing Specifications



This product is tested by ICC-ES and is certified to conform to the requirements of CSA B45.5/IAMPO Z124 standard.

Manufactured by Frontline Mfg., Inc. Warsaw, IN



5/31/19