

Centennial Tub & Showers Spec Sheet

Model: SCRS/SCLS 483677

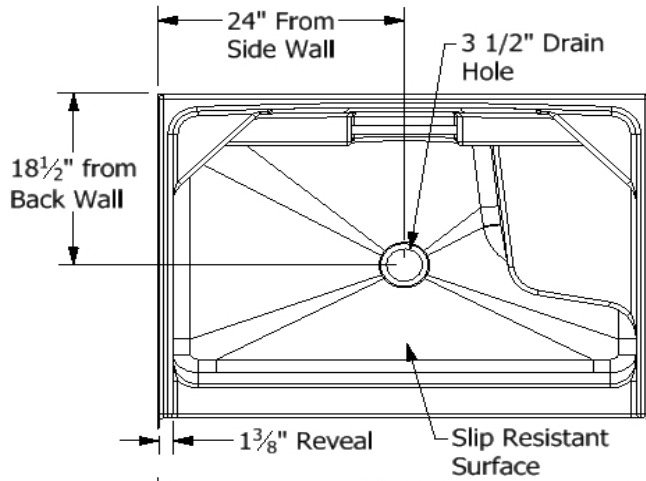
Description: Centennial One Piece Shower Unit (Right Seat Shown)

Specifications

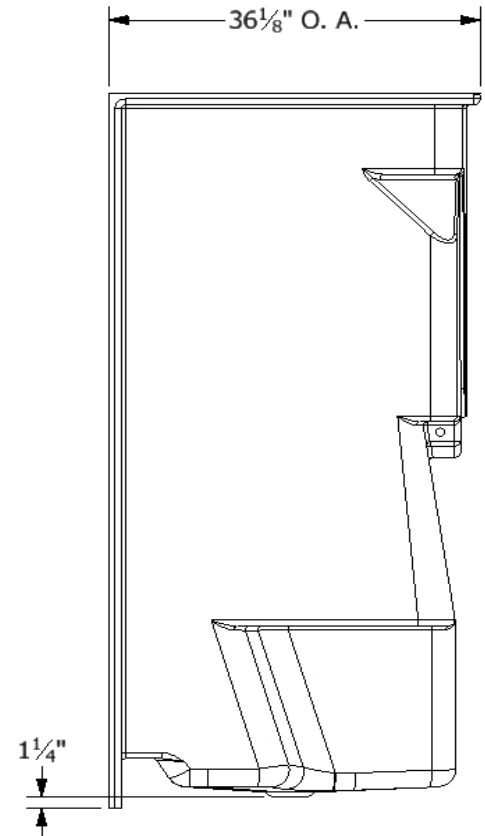
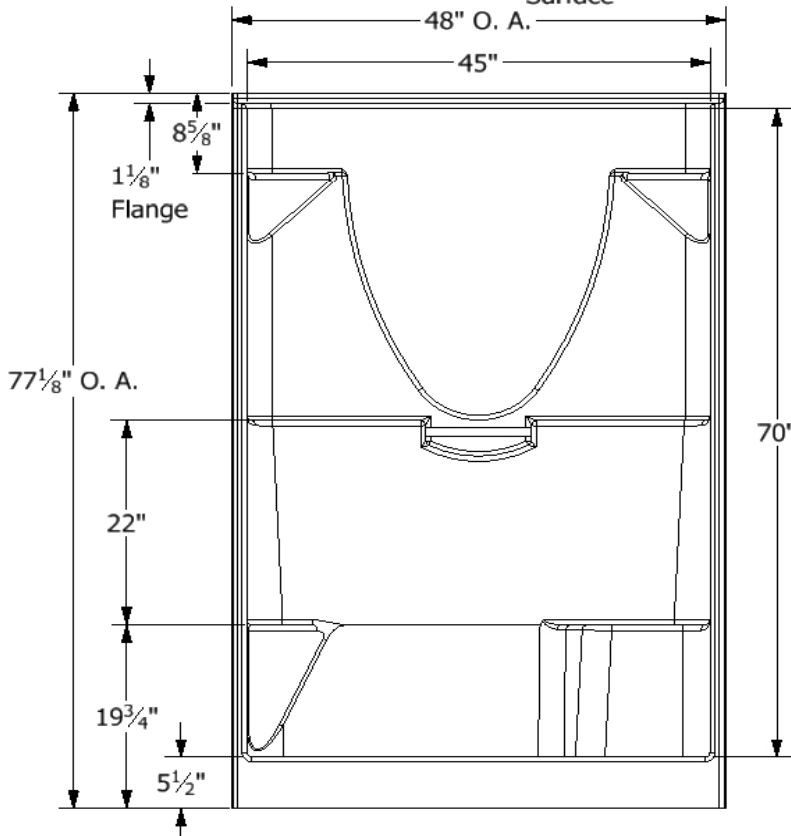
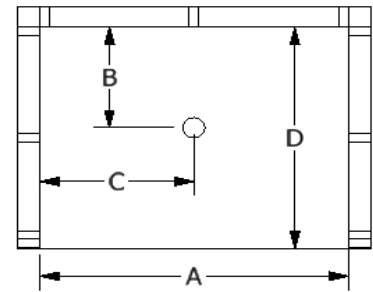
| Model # | Material | Wall Finish | Pieces | Drain | Threshold Height | Net Weight Lbs. |
|-------------------|------------------------|-------------|--------|-------|------------------|-----------------|
| SCRS 483677 | Fiberglass/ Gelcoat | Smooth | 1 | C | 5 1/2" | |
| Enclosure Opening | | | | | | |
| Width | | Height | | | | |
| 45" | | 70" | | | | |

Framing Dimensions

| A | B | C | D |
|-----|---------|-----|---------|
| 48" | 18 1/2" | 24" | 36 1/8" |



Framing Specifications



Misc. Information

| | |
|------------|---|
| Slope | 1/4" / Foot, Minimum 1 Degree - Maximum 4 Degrees |
| Tolerances | + 0 / -1/4" |
| Other Info | |

This product is tested by ICC-ES and is certified to conform to the requirements of CSA B45.5/IAMPO Z124 standard.

Manufactured by Frontline Mfg., Inc. Warsaw, IN



7/23/19