



Diamond Tub & Showers Spec Sheet

Model: SCLTNS 483677.5

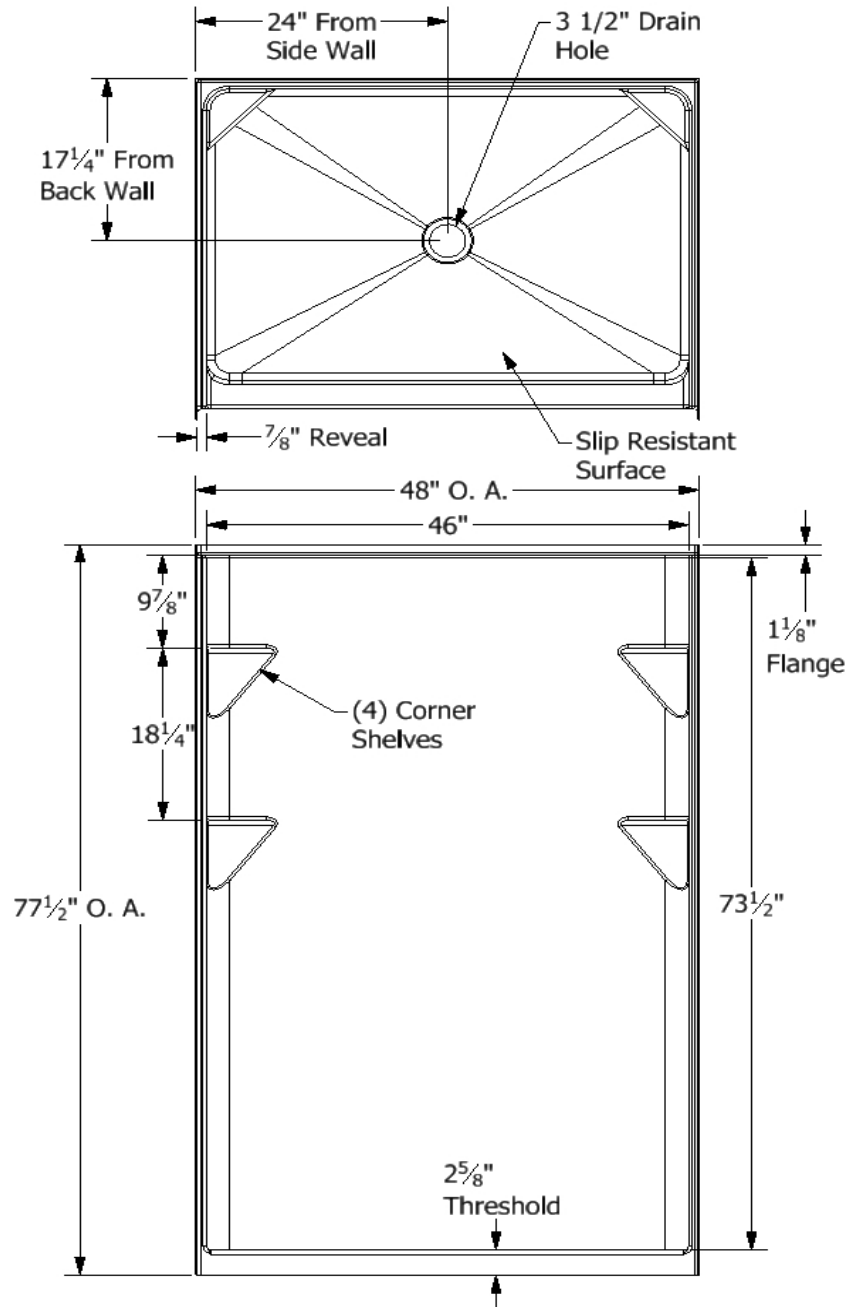
Description: Centennial One Piece Shower Unit, Low Threshold No Seat

Specifications

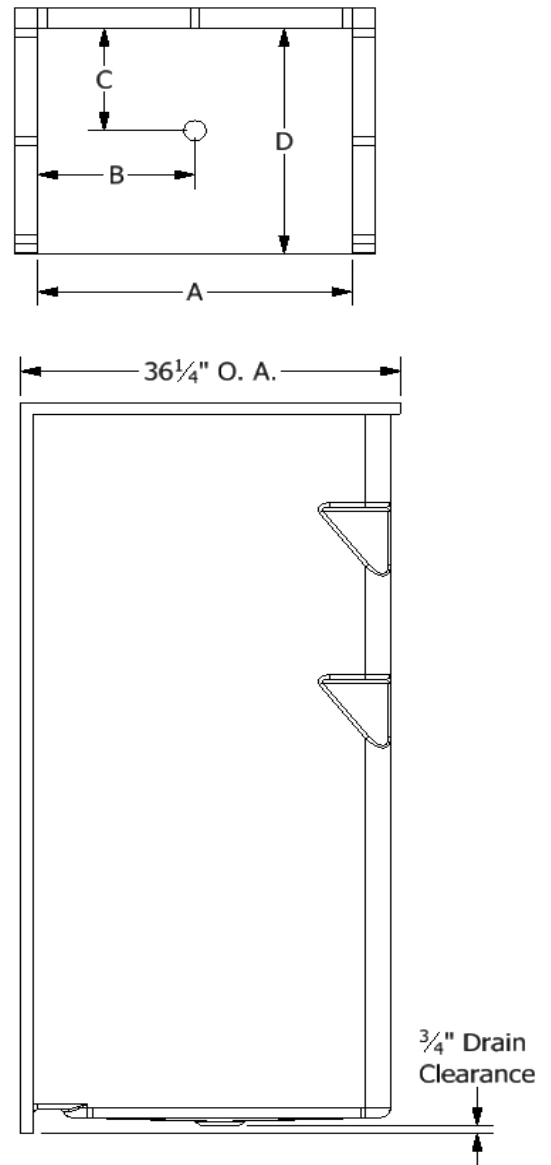
Model #	Material	Wall Finish	Pieces	Drain	Threshold Height	Net Weight Lbs.
SCLTNS 483677.5	Fiberglass/ Gelcoat	Smooth	1	C	2 3/4"	
Enclosure Opening						
Width	Height					
46"	73 1/2"					

Framing Dimensions

A	B	C	D
48"	24"	17 1/4"	36 1/4"



Framing Specifications



Certified to conform to ANSI Z124.1 and ASTM E- 162 Flame Spread Rating 200 or less and is under a program of factory inspection.

Manufactured by Frontline Mfg., Inc. Warsaw, IN



5/30/19